

WORLD MARKET®

Assembly Instructions

BUNDLE - CORSICA DINING TABLE
& DINING CHAIRS (ARM+ARMLESS) 7PC SET

SKU 1029

1x	DINING TABLE
2x	DINING ARMCHAIR
4x	ARMLESS DINING CHAIR

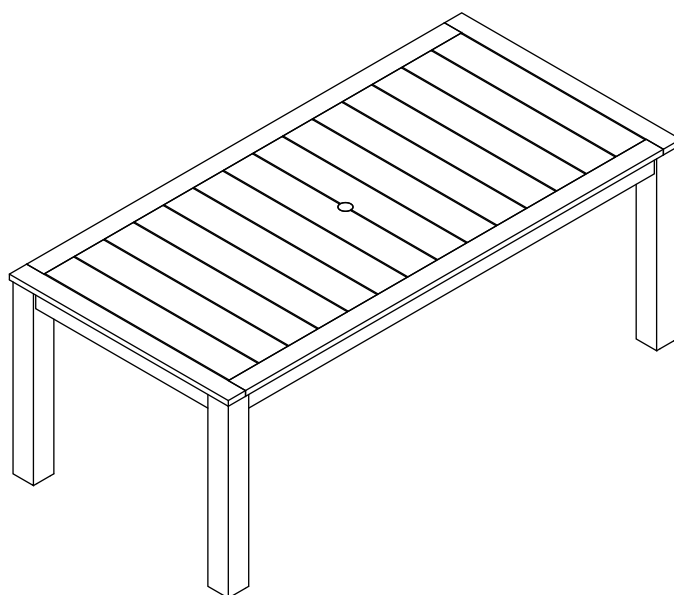
See following pages for individual
component assembly instructions

WORLD MARKET®

Assembly Instructions

Corsica Dining Table

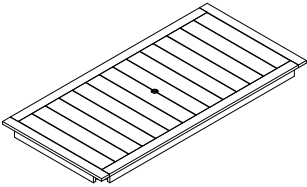
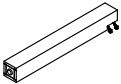

SKU - 620612






Thank you for your purchase. If you have any questions pertaining to the assembly of this furniture piece, please contact the nearest World Market store. If you are not near a store, please call our customer service call center toll free at 877-967-5362 for assistance.

ALL PRODUCTS SOLD AT WORLD MARKET ARE NOT
FOR COMMERCIAL USE AND ARE INTENDED FOR
RESIDENTIAL USE ONLY.


Component List

LABEL	PICTURE	DESCRIPTION	QTY.
A		TABLE TOP PANEL	1
B		LEG	4
C		PARASOL CAP	1

Hardware List

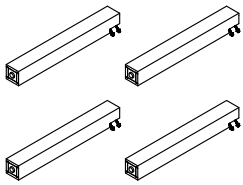
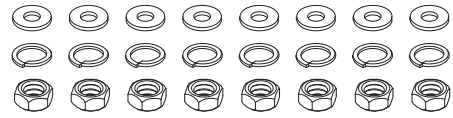
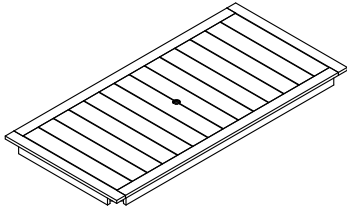
LABEL	PICTURE	DESCRIPTION	QTY.
H-1		HEXAGON NUT Ø8x13mm	8
H-2		SPRING WASHER Ø8.5/Ø14x2mm	8
H-3		FLAT WASHER Ø8.5/Ø20x2mm	8

Tool List

LABEL	PICTURE	DESCRIPTION	QTY.
T-1		OPEN WRENCH	1

Assembly Preparation

Before Beginning:



Unpack all hardware bags and components to ensure you have all parts. Take note of bolt hardware size differences and components that may have directional labels (Example: TOP or FRONT).



Read the assembly instructions, cover-to-cover. Save any **Care and Maintenance** instructions pages for after the assembly has been completed.



It is always recommended to have 2 adults on hand for assembly.



Do not assemble on hard, abrasive flooring or carpeted surfaces that can damage or get caught in the components during assembly.



Assemble on a clean non-marring surface (such as the product's packing foam).



Do not discard any packaging until the product has been fully assembled.







In case of missing parts, please contact your nearest World Market store or call our customer service call center at 1-877-967-5362.

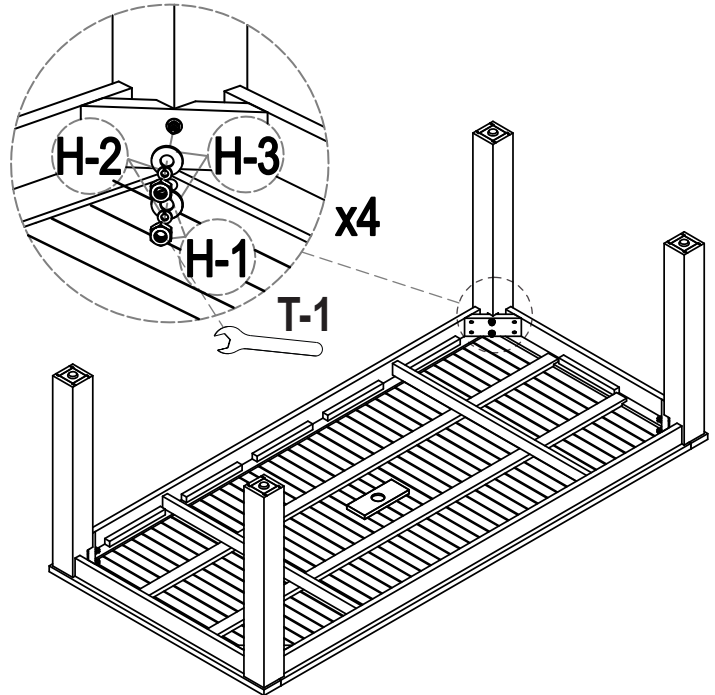


WARNING: Small parts are a choking hazard. Adult supervision is required before, during, and after assembly.

Assembly Steps

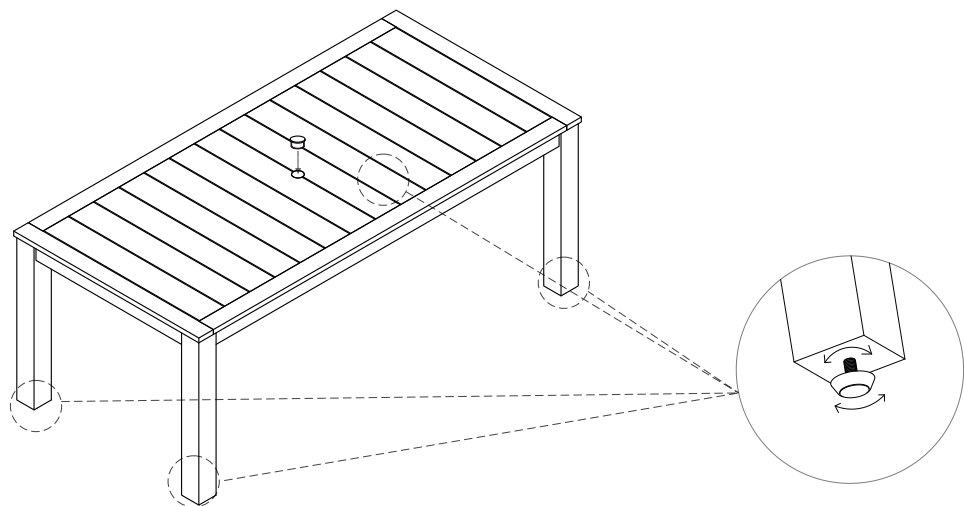
Step 1

-  (H-1) HEXAGON NUT x8
-  (H-2) SPRING WASHER x8
-  (H-3) FLAT WASHER x8
-  (T-1) OPEN WRENCH x1



Place Table Top Panel (A) upside down on a padded non - marring surface. Insert bolts on Leg (B) through predrilled holes in corners of apron. Secure bolts with Flat Washers (H-3), Spring Washers (H-2) and Hexagon Nuts (H-1), stacking the hardware in the order as shown. Loosely install hardware on all bolts. Fully tighten using Open Wrench (T-1) after all hardware is installed. **DO NOT OVER TIGHTEN.** Repeat for remaining Legs (B).

Step 2



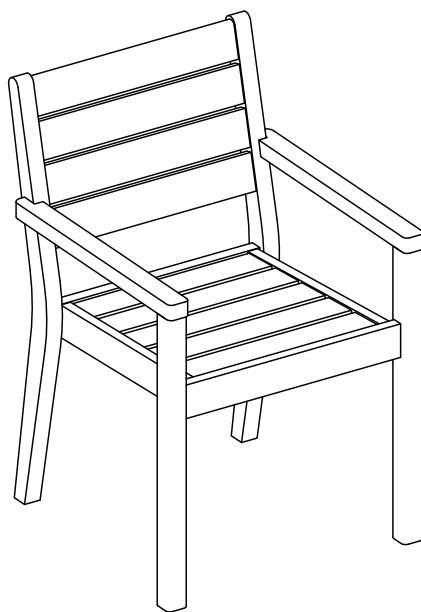
Using a second person to assist you, turn assembly upright. Assembly is now complete and the product is ready for use. Adjustable levelers are located on the bottom of each leg and may be adjusted by turning outwards, counter-clockwise to help account for uneven surfaces. **NOTE:** Hardware may loosen over time. Periodically check that all connections remain tight and adjust as needed. Insert Parasol Cap (C).

WORLD MARKET®

Assembly Instructions

Corsica Dining Chair W/ Arms

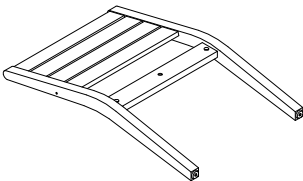
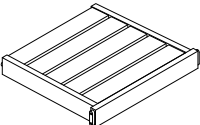
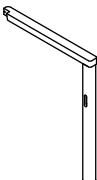
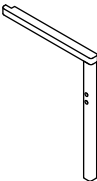
SKU - 629606







Thank you for your purchase. If you have any questions pertaining to the assembly of this furniture piece, please contact the nearest World Market store. If you are not near a store, please call our customer service call center toll free at 877-967-5362 for assistance.

ALL PRODUCTS SOLD AT WORLD MARKET ARE NOT
FOR COMMERCIAL USE AND ARE INTENDED FOR
RESIDENTIAL USE ONLY.


Component List

LABEL	PICTURE	DESCRIPTION	QTY.
A		BACKREST	1
B		SEAT PANEL	1
C1		LEFT FRAME LEG	1
C2		RIGHT FRAME LEG	1

Hardware List

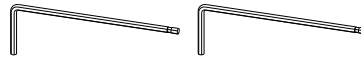
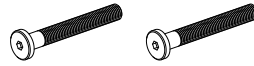
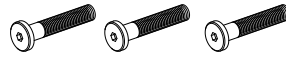
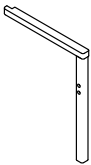
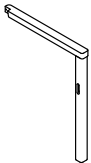
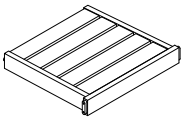
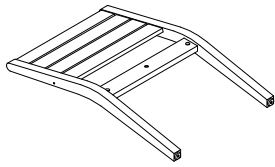
LABEL	PICTURE	DESCRIPTION	QTY.
H-1		SHORT ALLEN BOLT 6x35mm	3
H-2		HEX WOOD SCREW 7x90mm	4
H-3		ALLEN BOLT 6x45mm	2
H-4		WOOD PLUG Ø14/Ø17x8mm	4

Tool List

LABEL	PICTURE	DESCRIPTION	QTY.
T-1		ALLEN KEY	2

Assembly Preparation

Before Beginning:



Unpack all hardware bags and components to ensure you have all parts. Take note of bolt hardware size differences and components that may have directional labels (Example: TOP or FRONT).



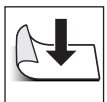
Read the assembly instructions, cover-to-cover. Save any **Care and Maintenance** instructions pages for after the assembly has been completed.



It is always recommended to have 2 adults on hand for assembly.



Do not assemble on hard, abrasive flooring or carpeted surfaces that can damage or get caught in the components during assembly.



Assemble on a clean non-marring surface (such as the product's packing foam).



Do not discard any packaging until the product has been fully assembled.



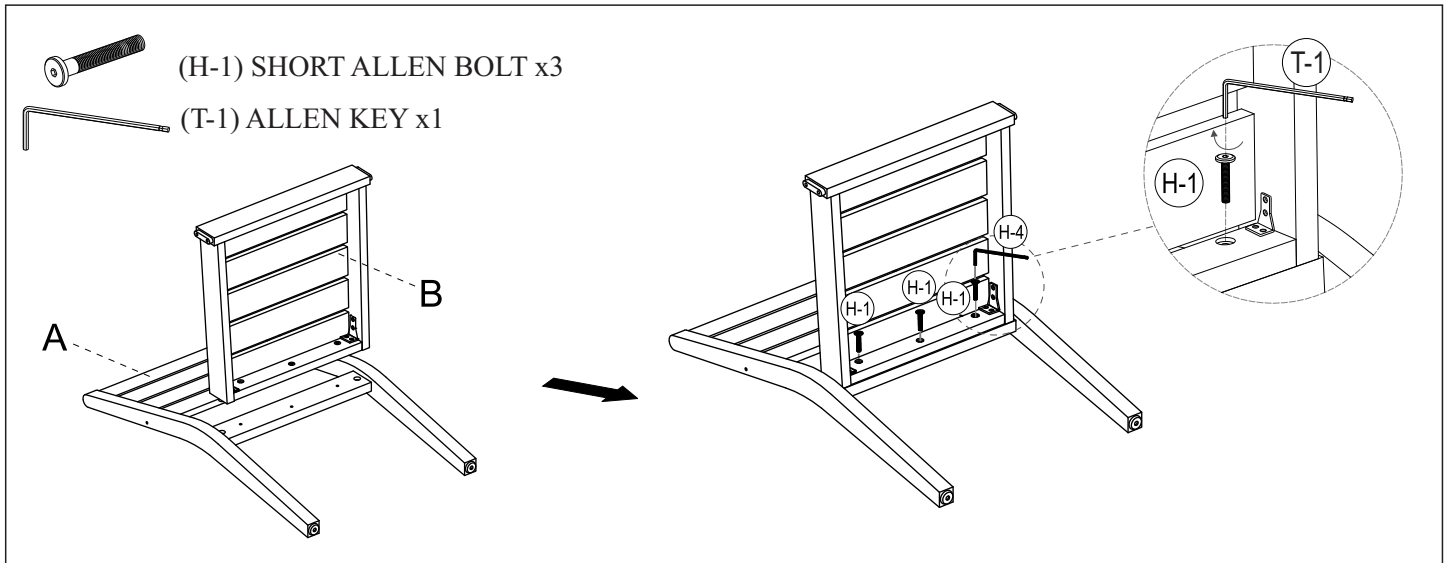
In case of missing parts, please contact your nearest World Market store or call our customer service call center at 1-877-967-5362.



WARNING: Small parts are a choking hazard. Adult supervision is required before, during, and after assembly.

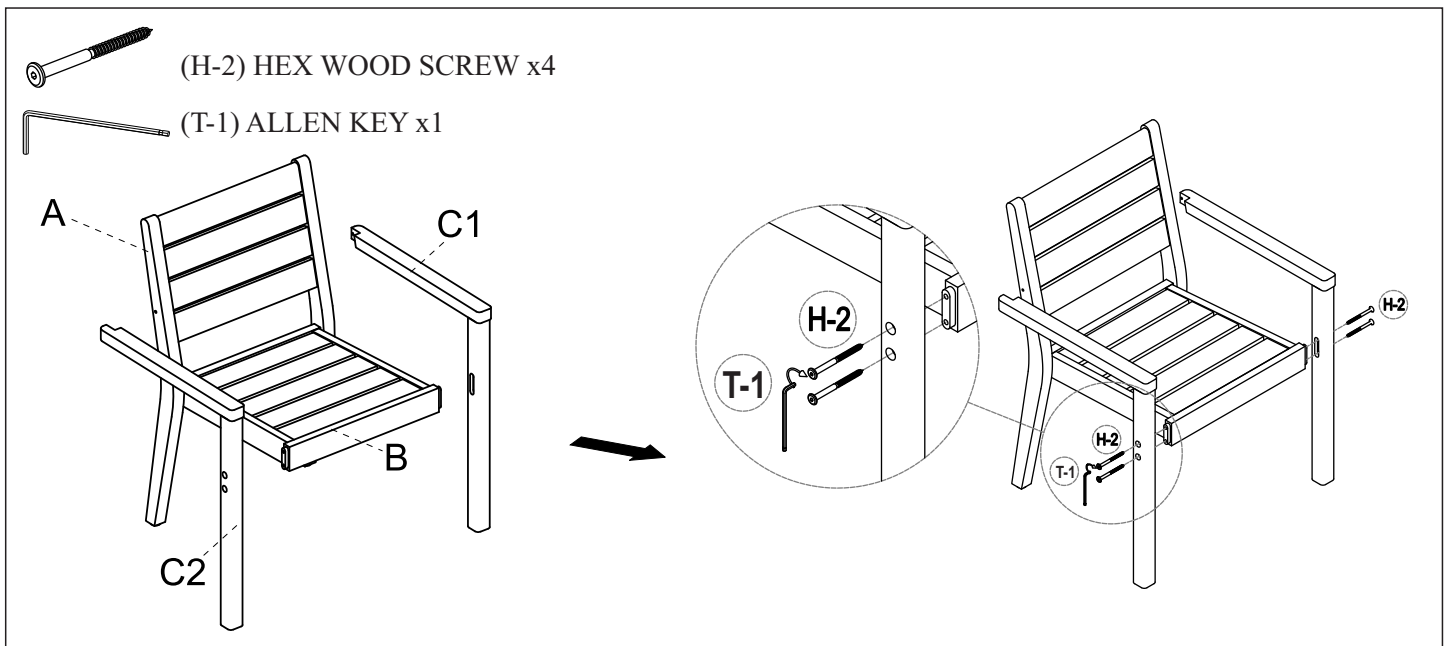
Assembly Steps

Step 1



Place Backrest (A) upside down on a padded non - marring surface.
Secure Seat Panel (B) to Backrest (A) with Allen Bolts (H-1) using provided Allen Key (T-1). Engage all bolts first, then fully tighten. **DO NOT OVER TIGHTEN.**

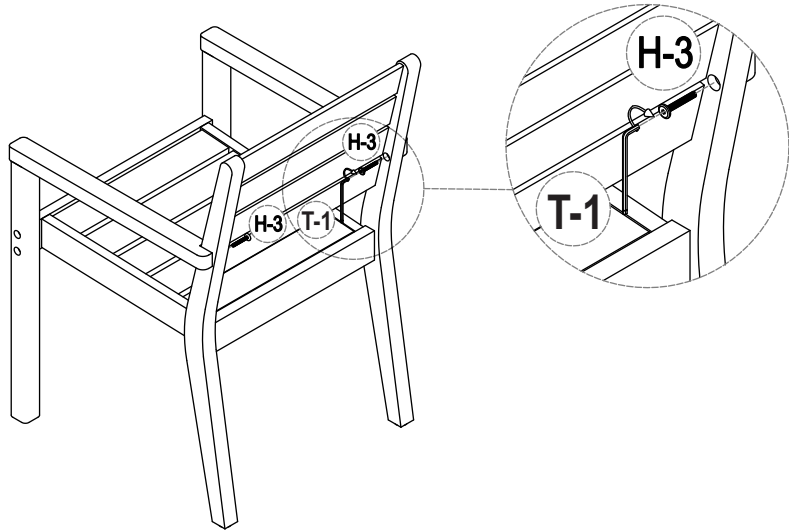
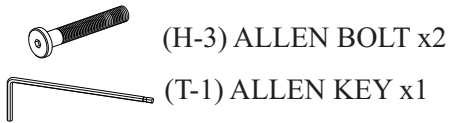
Step 2



Position the chair upright.
Insert the tenons located at the front of Seat Panel (B) into corresponding mortises in Left Frame Leg (C1) and Right Frame Leg (C2).
Secure Left and Right Frame Legs (C1 & C2) to the front of Seat Panel (B) by first engaging all Hex Wood Screws (H-2) first by hand, then fully tightening using provided Allen Key (T-1). **DO NOT OVER TIGHTEN.**

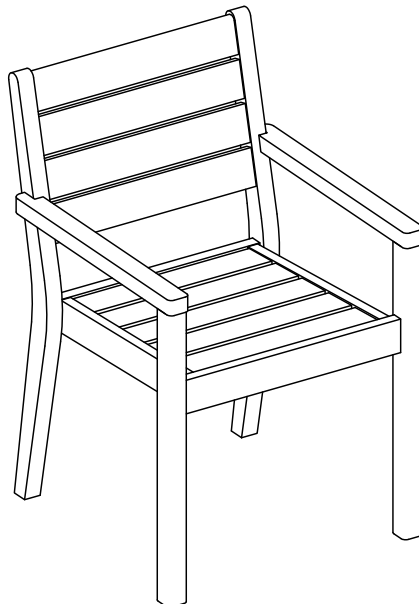
Assembly Steps

Step 3



Using Allen Bolts (H-3), and Allen Key (T-1), secure Left Frame Leg and Right Frame Leg (C1 & C2) to Backrest (A)
Fully tighten, but do not over tighten.

Step 4



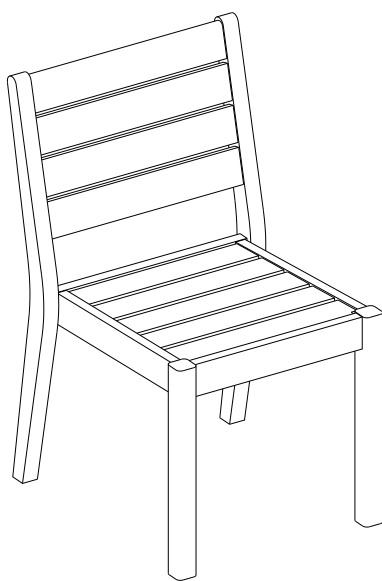
Turn chair upright. Assembly is now complete and the chair is ready for use.

WORLD MARKET®

Assembly Instructions

Corsica Armless Dining Chair

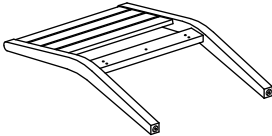
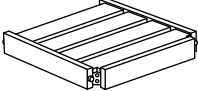
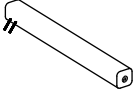
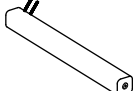
SKU - 629607






Thank you for your purchase. If you have any questions pertaining to the assembly of this furniture piece, please contact the nearest World Market store. If you are not near a store, please call our customer service call center toll free at 877-967-5362 for assistance.

ALL PRODUCTS SOLD AT WORLD MARKET ARE NOT
FOR COMMERCIAL USE AND ARE INTENDED FOR
RESIDENTIAL USE ONLY.



Component List

LABEL	PICTURE	DESCRIPTION	QTY.
A		BACKREST	1
B		SEAT PANEL	1
C1		LEFT FRONT LEG	1
C2		RIGHT FRONT LEG	1

Hardware List

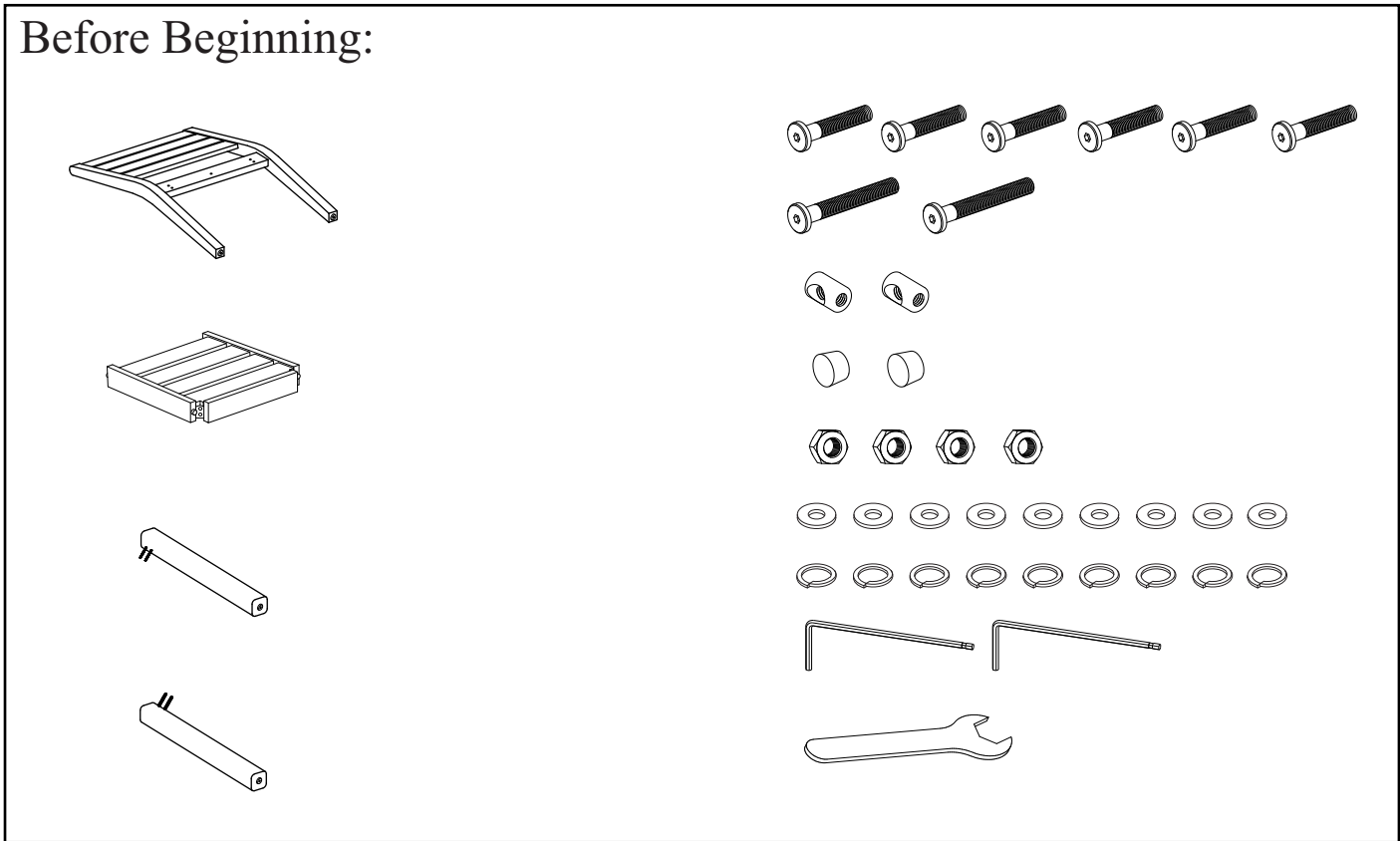
LABEL	PICTURE	DESCRIPTION	QTY.
H-1		SHORT ALLEN BOLT 6x55mm	5+1
H-2		LONG ALLEN BOLT 6x80mm	2
H-3		BARREL NUT 6x13mm	2
H-4		HEXAGON NUT	4
H-5		SPRING WASHER Ø8.5/Ø13x1.5mm	9
H-6		FLAT WASHER Ø8.5/Ø20x2mm	9
H-7		WOOD PLUG Ø14/Ø17x8mm	2

Tool List

LABEL	PICTURE	DESCRIPTION	QTY.
T-1		ALLEN KEY	2
T-2		OPEN WRENCH	1

Assembly Preparation

Before Beginning:



Unpack all hardware bags and components to ensure you have all parts. Take note of bolt hardware size differences and components that may have directional labels (Example: TOP or FRONT).



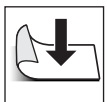
Read the assembly instructions, cover-to-cover. Save any **Care and Maintenance** instructions pages for after the assembly has been completed.



It is always recommended to have 2 adults on hand for assembly.



Do not assemble on hard, abrasive flooring or carpeted surfaces that can damage or get caught in the components during assembly.



Assemble on a clean non-marring surface (such as the product's packing foam).



Do not discard any packaging until the product has been fully assembled.



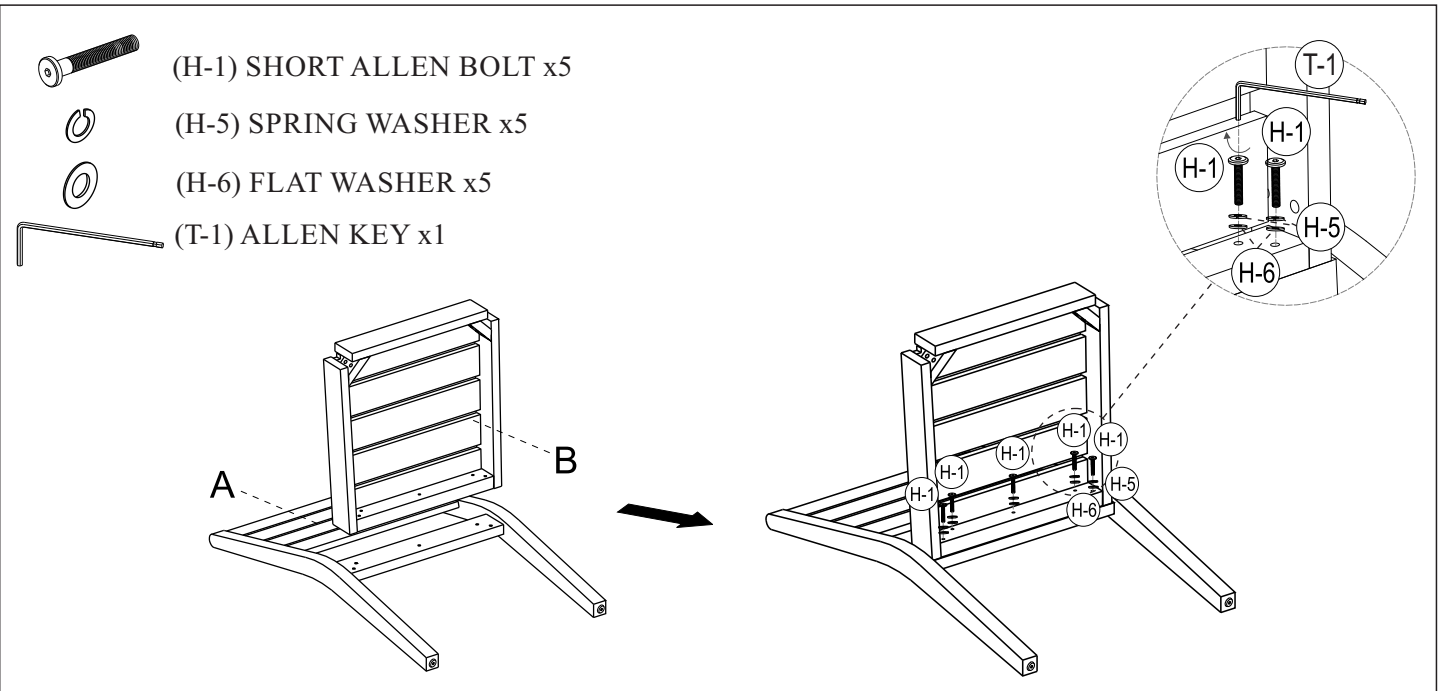
In case of missing parts, please contact your nearest World Market store or call our customer service call center at 1-877-967-5362.



WARNING: Small parts are a choking hazard. Adult supervision is required before, during, and after assembly.

Assembly Steps

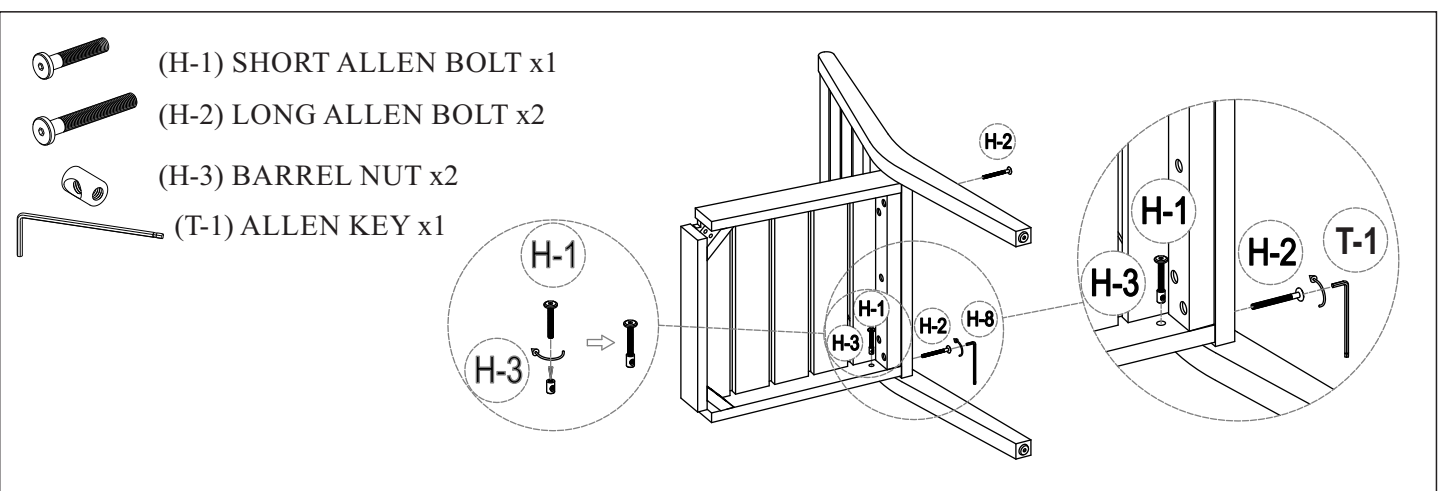
Step 1



Place Backrest (A) upside down on a padded non - marring surface.

Secure Seat Panel (B) to Backrest (A) with Allen Bolts (H-1). Spring Washers (H-5) and Flat Washers (H-6) using provided Allen Key (T-1), stacking the hardware in the order as shown. Engage all bolts first, then fully tighten. **DO NOT OVER TIGHTEN.**

Step 2

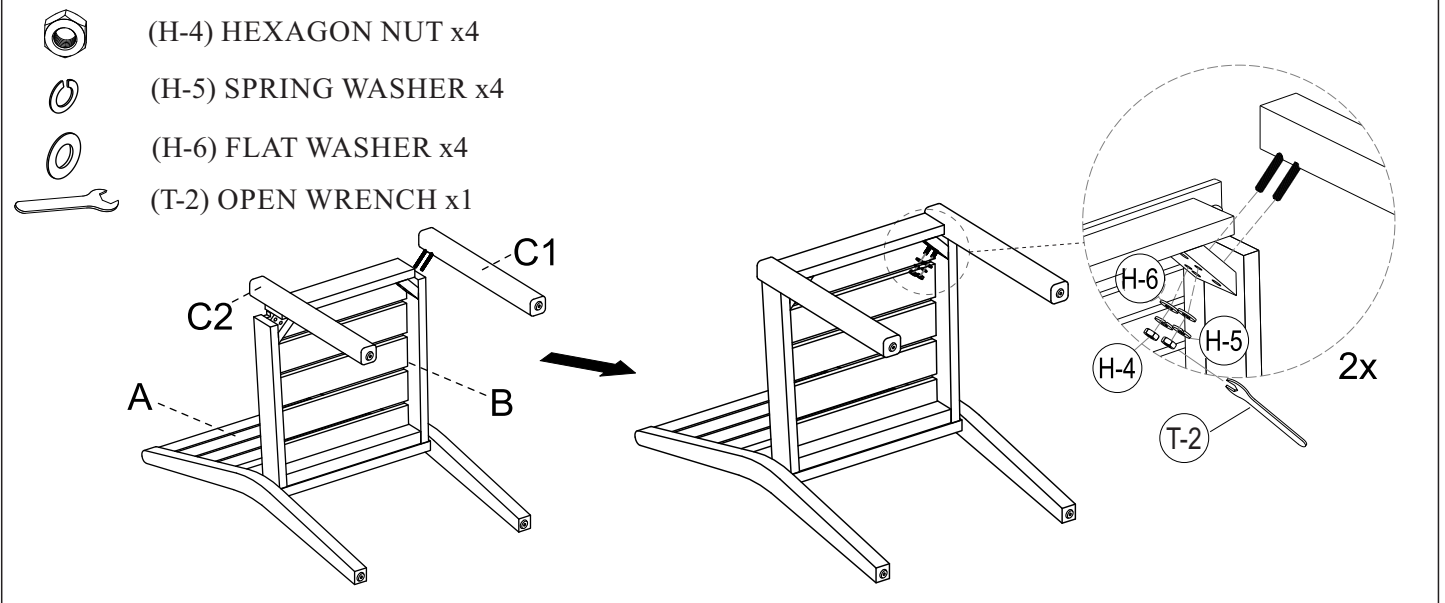


Turn assembly on its side as shown. Thread one Short Allen Bolt (H-1) into the end of the Barrel Nut (H-3).

This will help with aligning the receiving hole with Long Allen Bolts (H-2). Insert the Barrel Nut (H-3) into the hole in the inside of the side apron and insert Long Allen Bolt (H-2) into the hole in the back of the Backrest (A). Orient the Barrel Nut (H-3) to engage with the Long Allen Bolts (H-2) and tighten using Allen Key (T-1). **DO NOT OVER TIGHTEN.** Remove Short Allen Bolt (H-1) from the installed Barrel Nut (H-3) and repeat the same process for the other side of the chair.

Assembly Steps

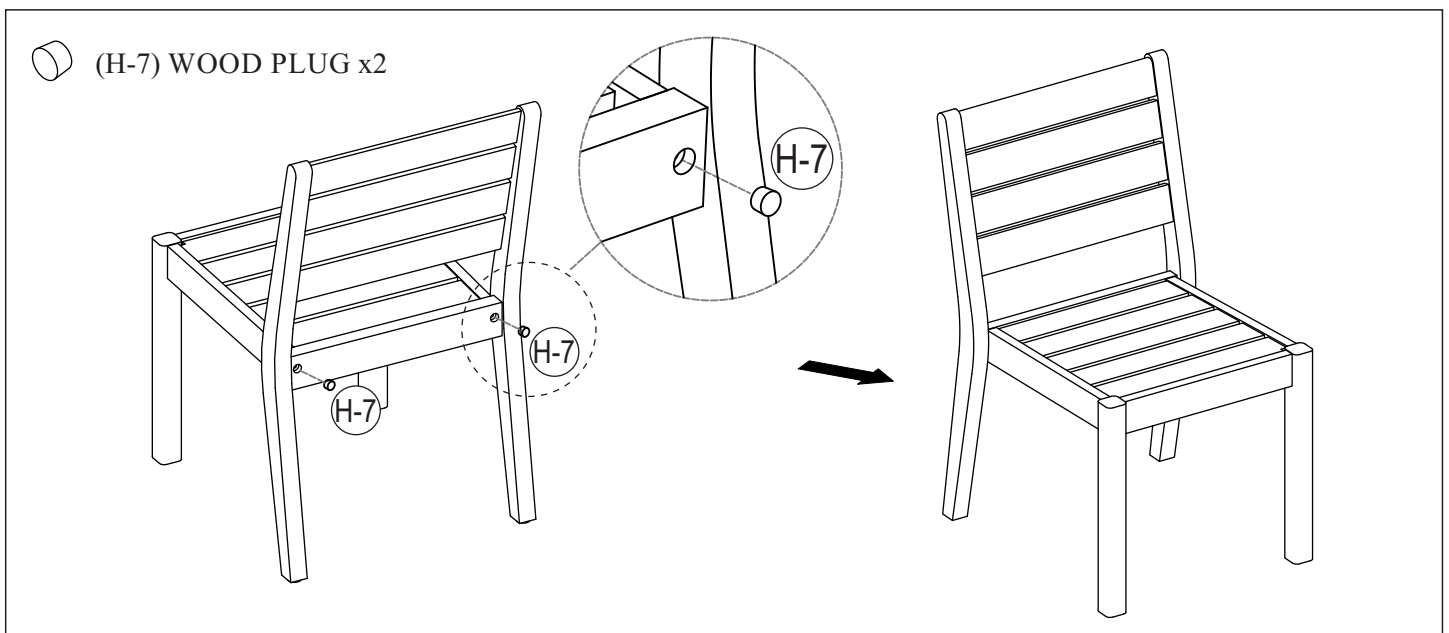
Step 3



Place Backrest (A) down onto a padded, non-marring surface.

Insert bolts in Left Front Leg (C1) and Right Front Leg (C2) into front corners. Secure with Hexagon Nuts (H-4), Spring Washers (H-5) and Flat Washers (H-6) using provided Open Wrench (T-2), stacking the hardware in the order as shown. Fully tighten, but do not over tighten.

Step 4



Turn chair upright, Insert Wood Plugs (H-7) into bolt holes in Backrest (A) until roughly flush. If needed, cover plugs with a padded surface (such as cardboard) and gently tap with a hammer or mallet (not provided). Assembly is now complete and the chair is ready for use.

Outdoor Warnings



All products sold at World Market are not for commercial use and are intended for residential use only.



IMPORTANT: ALWAYS store furniture or use appropriate furniture covers during cold or inclement weather or during periods of non-use.

Outdoor Care & Maintenance



DO NOT put hot items directly on furniture surface.



DO NOT clean furniture with harsh cleansers or polish.



DO NOT place furniture near outdoor exhaust vents.



DO NOT write on furniture without a padded barrier to protect the surface.

For Outdoor Products with Upholstery



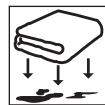
Dust and pick up spills using a clean, non-colored, lint-free dry cloth.



Treat any spills or stains immediately. **DO NOT** let it soak into the fabric.



Solid and liquid stains can be spot cleaned using a clean white cotton cloth. We also recommend our Outdoor Cushion Cleaner (sold separately). Scan the QR code to the right of this message.



Dab the stain with light, even pressure. **DO NOT** rub the stain when spot cleaning.



For Outdoor Products with Wood

CAUTION: As with any wood, the color may fade when left in direct sunlight or inclement weather. Minor cracking may occur with age. These are naturally occurring features of wood and do not affect product performance.

We recommend using our Outdoor Wood Furniture Finish (sold separately) to help preserve and protect the wood and finish. Scan the QR code above for more information.



SCAN HERE FOR
OUTDOOR FURNITURE FINISH



WORLD MARKET LIMITED ONE-YEAR WARRANTY – Outdoor Furniture

For your customer satisfaction, this product carries a LIMITED ONE-YEAR WARRANTY from the date of delivery. This limited warranty only applies to World Market brand furniture, and not to other furniture brands sold on World Market's website.

Where applicable, the limited warranty provides coverage for:

1. **Manufacturing, Material and Workmanship Defects:** Includes defects related to core frame/structure substrates (wood, metal and stone/tile); complete breakage of hardwood; cracking, splitting or lifting of wood veneer or laminated top surfaces caused by process failure; broken welds or improperly coated metal frame components (powder coating or painted); outdoor fabric, nautical rope and woven Textlene® defects including tears, misprints, fraying, crease marks, skip stitches or open seams; syntheec resin wicker breakage or unraveling; and other component failures that are a direct result of manufacturing or workmanship defects.
2. **Cushions:** Loss of resiliency from a material breakdown of foam or fiber filling, which should not be confused with softening or setting during normal use.
3. **Outdoor Furniture Components (Hardware & Mechanisms):** Includes defects to pre-installed components or hardware provided to the customer for assembly such as metal bases, swivel plate mechanisms; for umbrellas, canopy crank mechanism, spring loaded pole pins (for adjusting height); and other components such as bent or stripped threaded leg posts and adjustable levelers. Coverage also includes protection against rust and corrosion on hardware. For missing, damaged, corroded, or misplaced hardware components such as bolts or washers, please contact Customer Service at: 877-967-5362.

This LIMITED ONE-YEAR WARRANTY does NOT cover:

1. Damage due to mishandling during transportation from store or transportation without original protective packaging.
2. Abuse, negligence (product misuse), improper storage, stacking or wear and tear that may result in or from:
 - a. **Wood & Veneer:** Mishandling, prolonged exposure to moisture, peeling or discoloration caused by exposure to moisture or excessive sunlight, heat; splintered, dented or nicked panels, legs or component edges or paint/finish blemishes; or treatment with corrosive chemicals (dyes, inks, paints or harsh cleaning products). **NOTE: As with any outdoor rated wood, the color may fade if left in direct sunlight of inclement weather. Minor cracking may occur with age. These are naturally occurring features of wood and do not affect product performance.**
 - b. **Fabric (Including Sunbrella® Fabrics), Rope, Textilene®, All-Weather Wicker:** cuts, punctures, tears, burns, pet damage, or treatment with corrosive chemicals (dyes, inks, paints or harsh cleaning products), exposure to fire, high heat, water, or prolonged exposure to direct sunlight that may cause splitting, peeling, fraying or discoloration with time.
 - c. **Foam (Cushions):** Flattening, relaxing or settling/softening of foam components that comes with normal use.
 - d. **Hardware Components:** improper installation or misuse/substitution of hardware components not defined in the Assembly Instructions for the product (if applicable)
3. Damage due to prolonged environmental/inclement weather exposure such as direct sunlight, extreme heat, water or extreme humidity, strong winds, any bright light source (natural or artificial), chlorine or saltwater pools, or any environment that the product is not intended for. We HIGHLY recommend storing furniture, umbrellas and cushions with outdoor rated furniture covers and out of direct exposure during the winter or inclement weather events.
4. This warranty is applicable for outdoor furniture products purchased for residential use only.

For additional information on returns, please visit: <https://www.worldmarket.com/category/customer-service/returns.do>

All products sold at World Market are NOT FOR COMMERCIAL USE and are intended for residential use only. Products purchased for commercial use will VOID all warranty provisions as listed above.

Any claims under this LIMITED ONE-YEAR WARRANTY are valid and applicable only as to the original purchaser and must be accompanied by proof of purchase. Warranty claims should be submitted to a World Market store or through World Market Customer Service Call Center, Toll Free at 877-967-5362.

For valid warranty claims, World Market will repair or replace the product, or offer a full or partial credit, in the sole discretion of World Market. This LIMITED ONE-YEAR WARRANTY gives you specific legal rights and you may also have other rights which vary from state to state.

(OUTDOOR FURNITURE 1LW_v1.4_071423)