
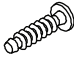




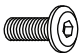





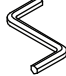
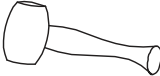
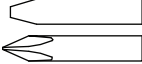




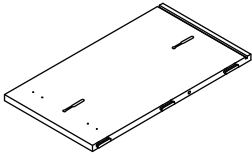
## HARDWARE LIST

DRAWING	DESCRIPTION	SIZE	QUANTITY
	Locking Button	N/A	4 PCS
	Lock Dowel Fastener	N/A	12 PCS
	Metal Runner	14"	3 SETS
	Screw	M4 X 12	36 PCS
	Hinges	N/A	2 PCS
	Screw	M4 X 14	10 PCS
	Screw JCBC	M6 X 16	12 PCS
	Cap	N/A	1 PC
	Left Leg	N/A	1 PC
	Right Leg	N/A	1 PC
	Cross Support Bar	N/A	1 PC
	Socket	N/A	1 SET
	Allen Key	N/A	1 PC

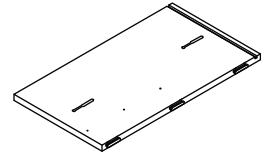
## TOOL REQUIRED

	Hammer		
	Screw Driver		

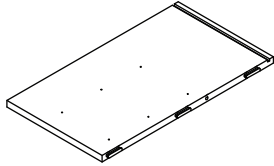
# PARTS



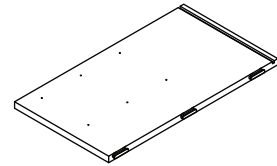
(1) Side Panel Left 1 (1 PC)



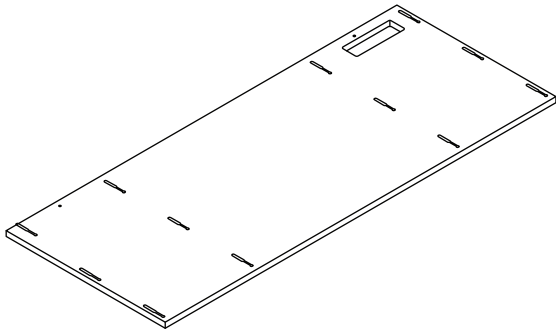
(2) Side Panel Right 1 (1 PC)



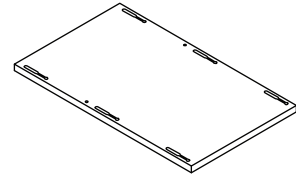
(3) Side Panel Left 2 (1 PC)



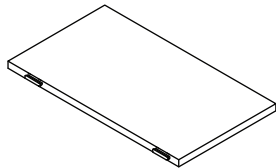
(4) Side Panel Right 2 (1 PC)



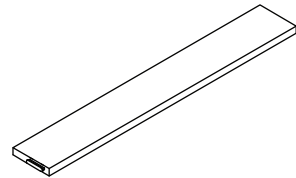
(5) Top Panel (1 PC)



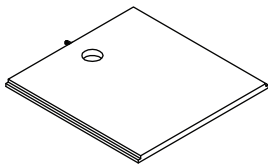
(6) Bottom Panel (2 PCS)



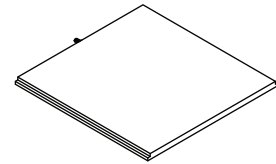
(7) Shelf Panel (1 PC)



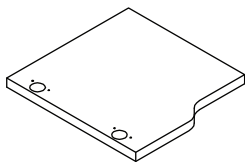
(8) Center Support Panel (1 PC)



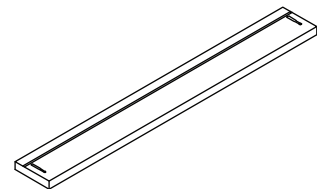
(9) Back Panel 1 (1 PC)



(10) Back Panel 2 (1 PC)

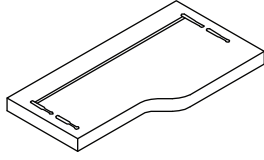


(11) Door Panel (1 PC)

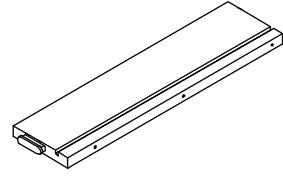


(12) Drawer Front Panel 1 (1 PC)

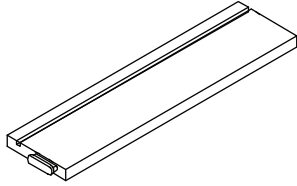
# PARTS



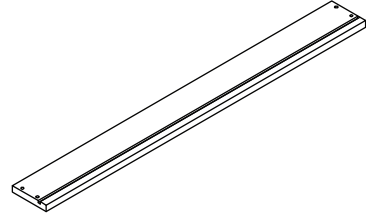
(13) Drawer Front Panel 2 (2 PCS)



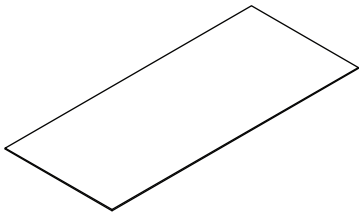
(14) Drawer Side Panel Left 1 (1 PC)



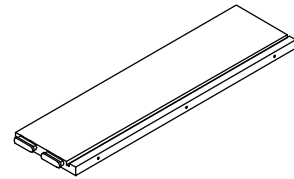
(15) Drawer Side Panel Right 1 (1 PC)



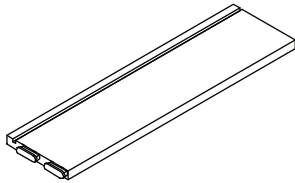
(16) Drawer Back Panel 1 (1 PC)



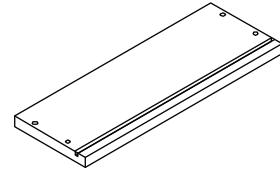
(17) Drawer Base Panel 1 (1 PC)



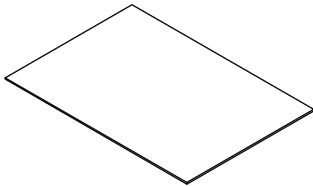
(18) Drawer Side Panel Left 2 (2 PCS)



(19) Drawer Side Panel Right 2 (2 PCS)



(20) Drawer Back Panel 2 (2 PCS)



(21) Drawer Base Panel 2 (2 PCS)

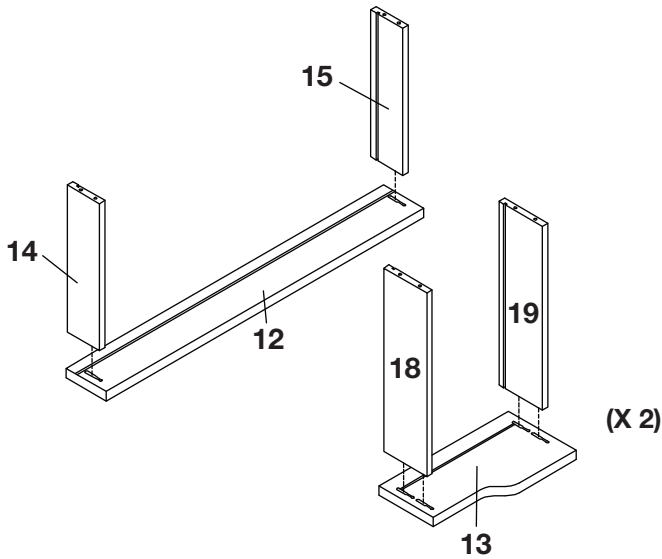
# DEN5422ED

## EXECUTIVE DESK-W POWER BOARD

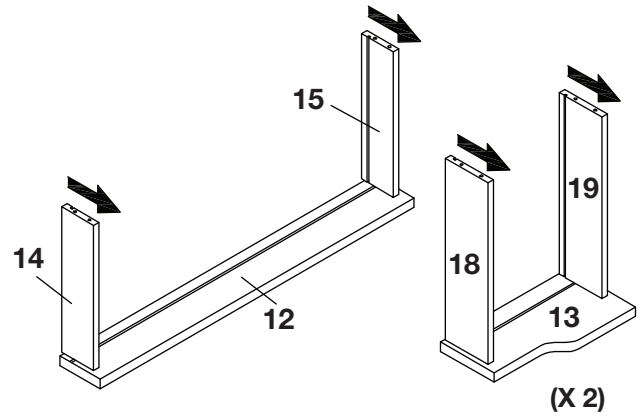
### ASSEMBLY INSTRUCTIONS

**CAUTION: THIS ITEM IS MADE OF LAMINATED PARTICLE BOARD AND MEDIUM DENSITY FIBRE BOARD TO BE ASSEMBLED ON A DRY, SOFT, SMOOTH AND CLEAN SURFACE. DO NOT USE DETERGENT OR CHEMICALS. AVOID DAMP AREAS AND DIRECT SUNLIGHT.**

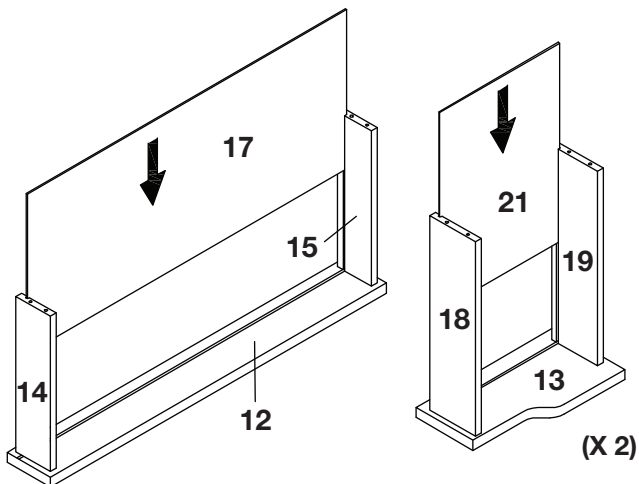
#### STEP 1



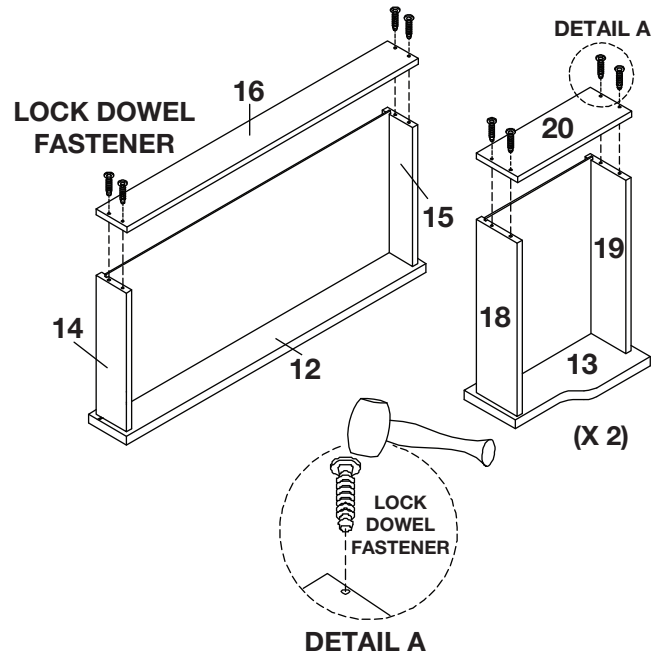
#### STEP 2



#### STEP 3



#### STEP 4

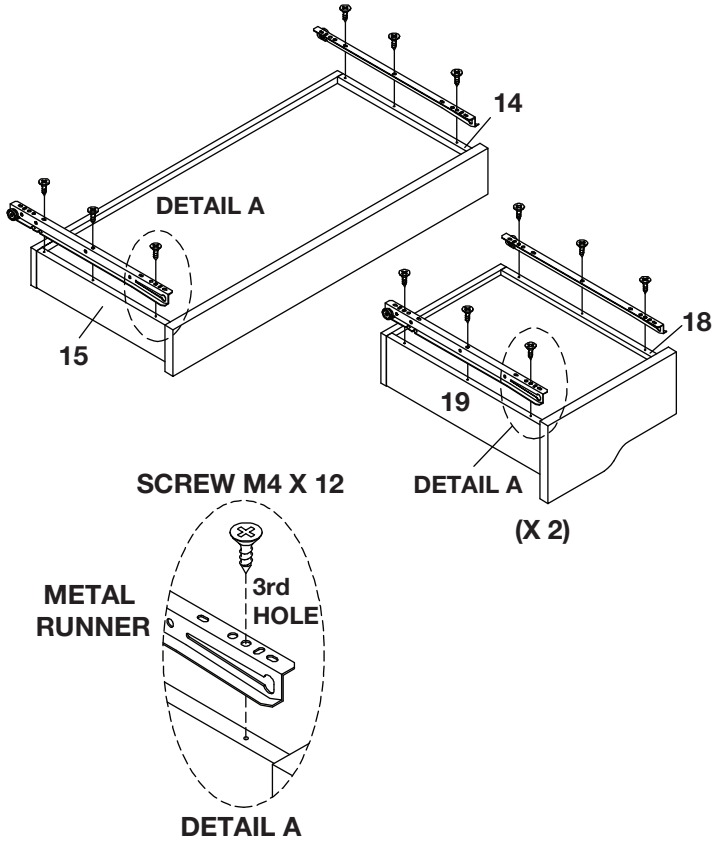


# DEN5422ED

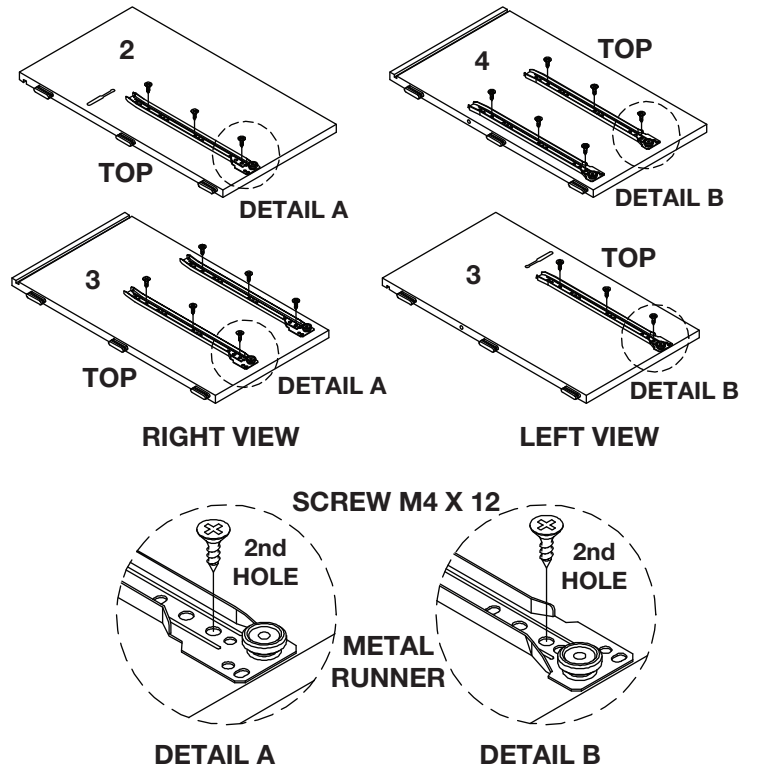
## EXECUTIVE DESK-W POWER BOARD

### ASSEMBLY INSTRUCTIONS

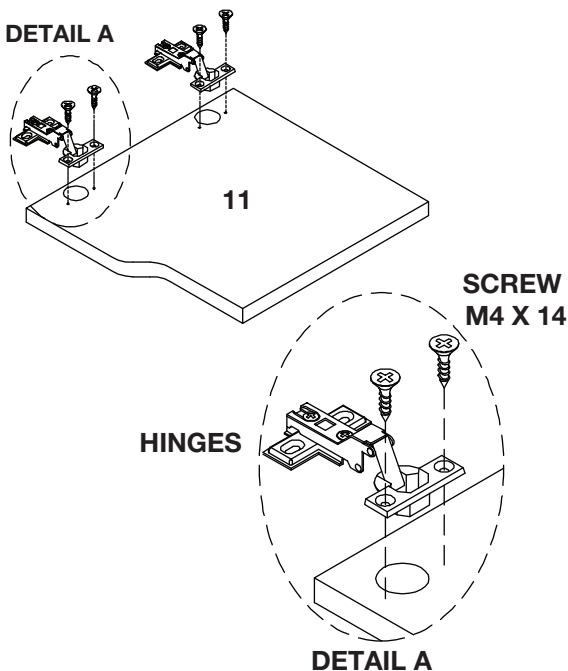
#### STEP 5



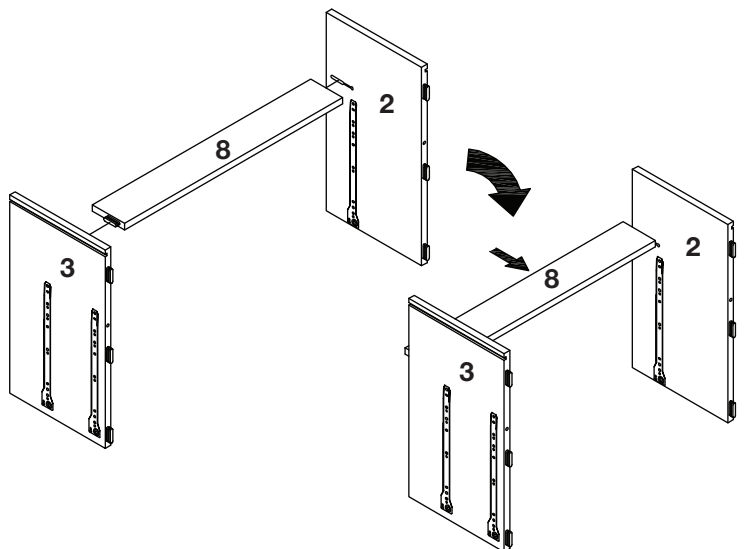
#### STEP 6



#### STEP 7



#### STEP 8

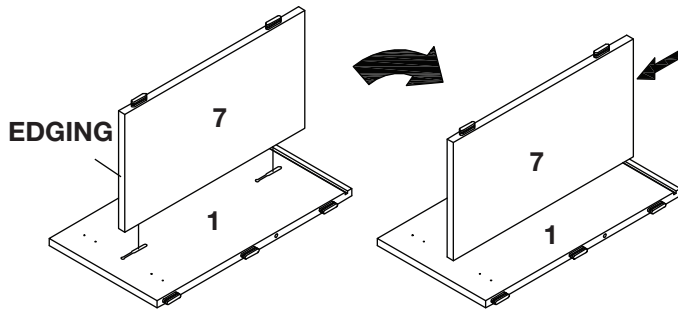


# DEN5422ED

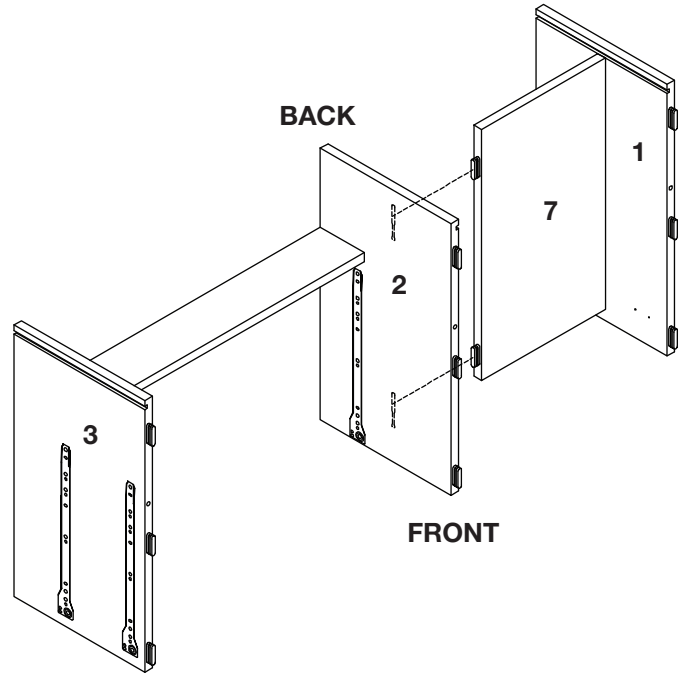
## EXECUTIVE DESK-W POWER BOARD

### ASSEMBLY INSTRUCTIONS

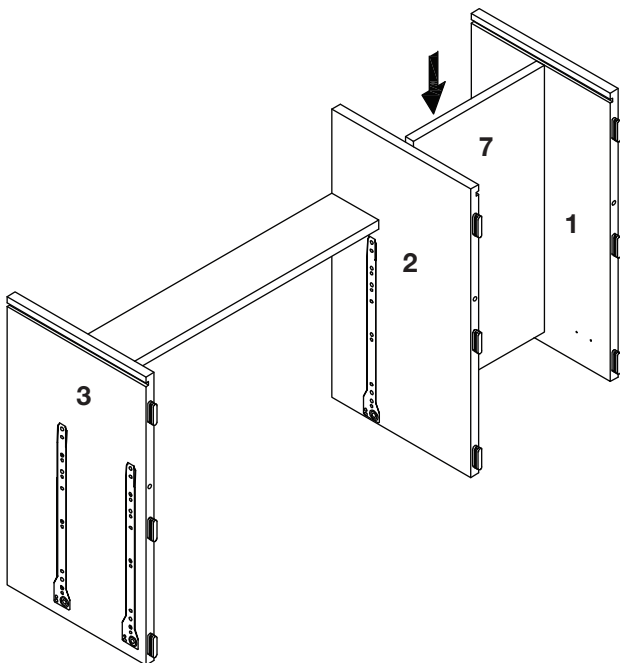
#### STEP 9



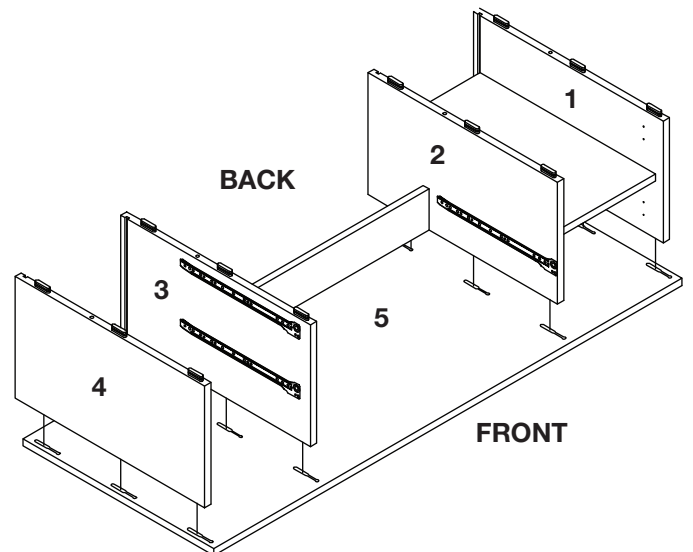
#### STEP 10



#### STEP 11



#### STEP 12

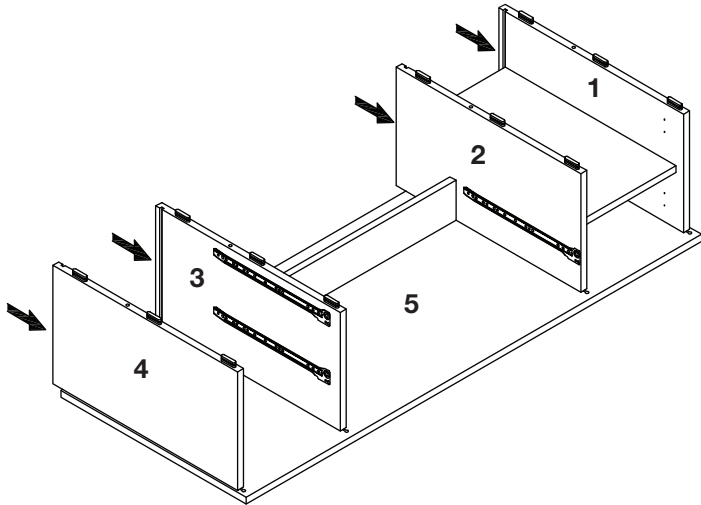


# DEN5422ED

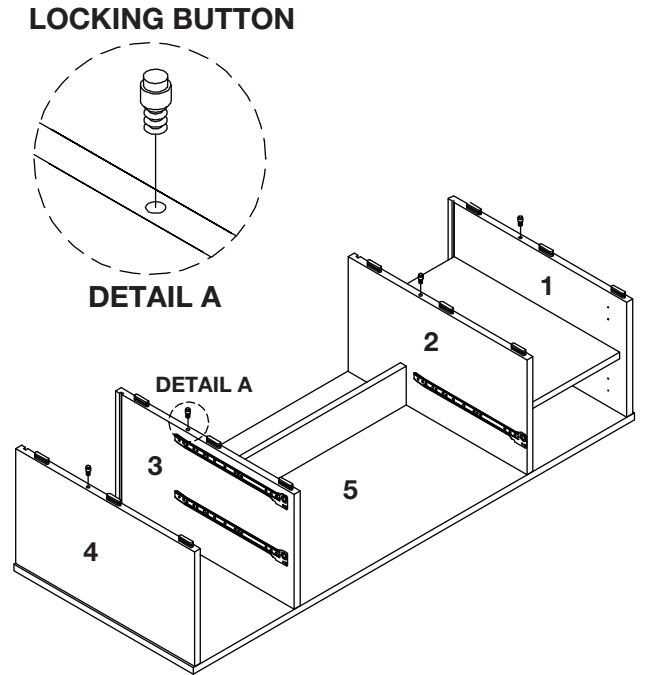
## EXECUTIVE DESK-W POWER BOARD

### ASSEMBLY INSTRUCTIONS

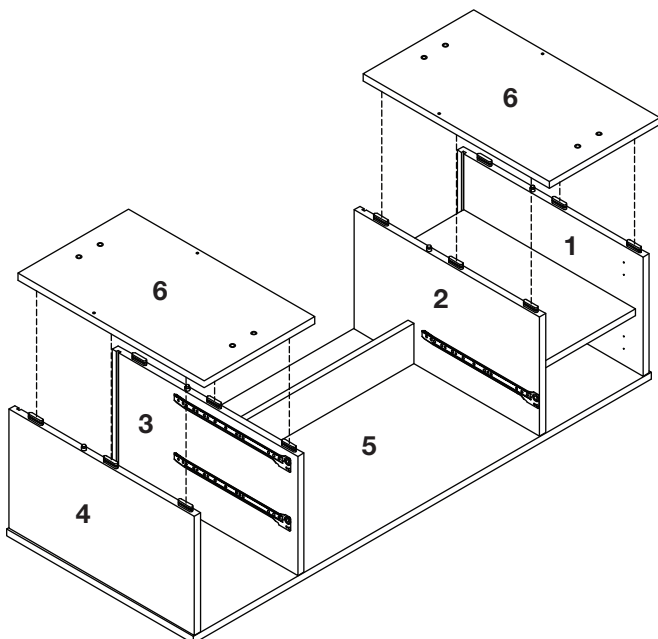
#### STEP 13



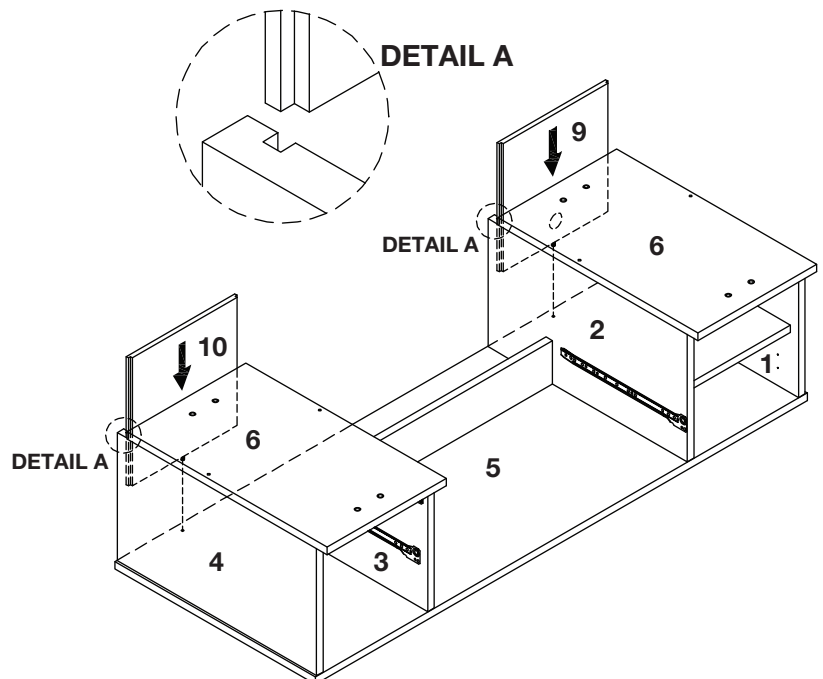
#### STEP 14



#### STEP 15



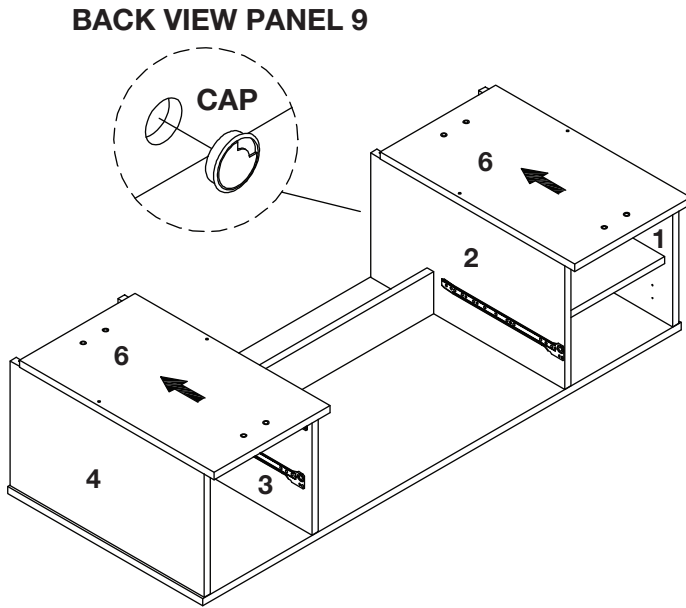
#### STEP 16



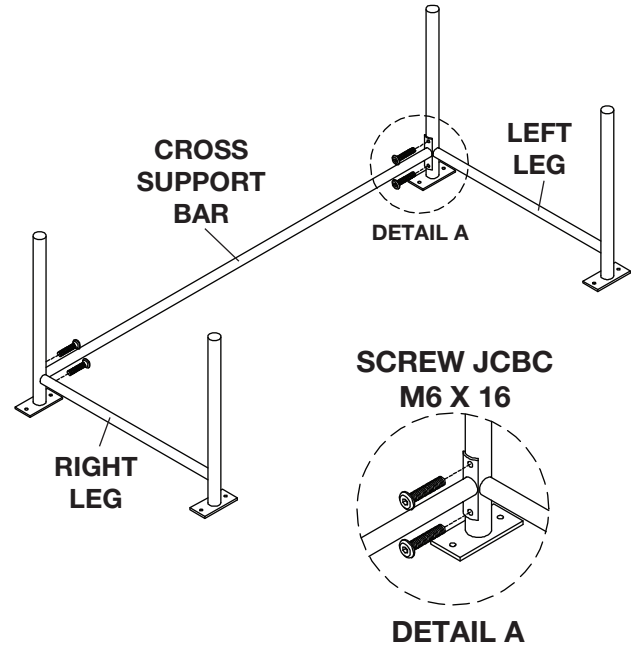


**DEN5422ED**  
**EXECUTIVE DESK-W POWER BOARD**  
ASSEMBLY INSTRUCTIONS

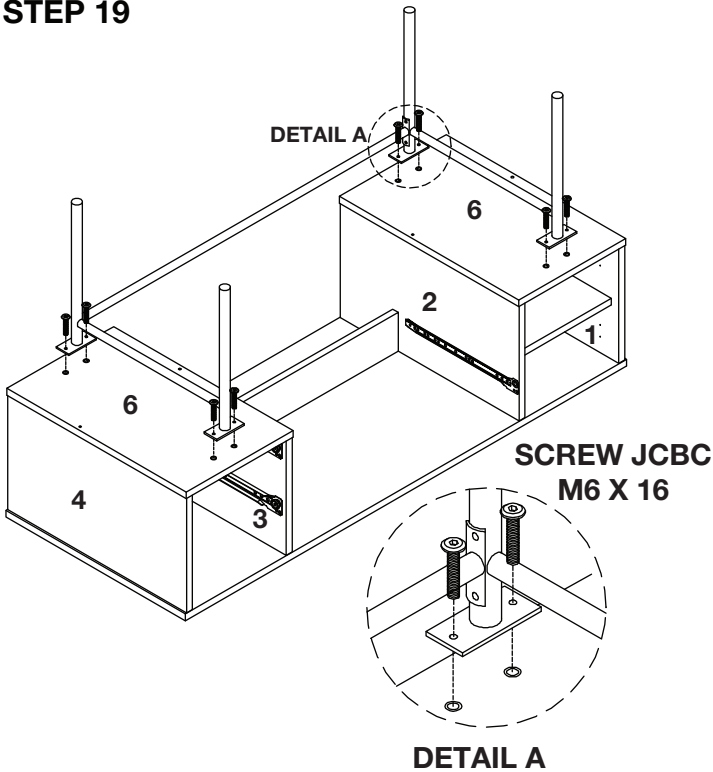
**STEP 17**



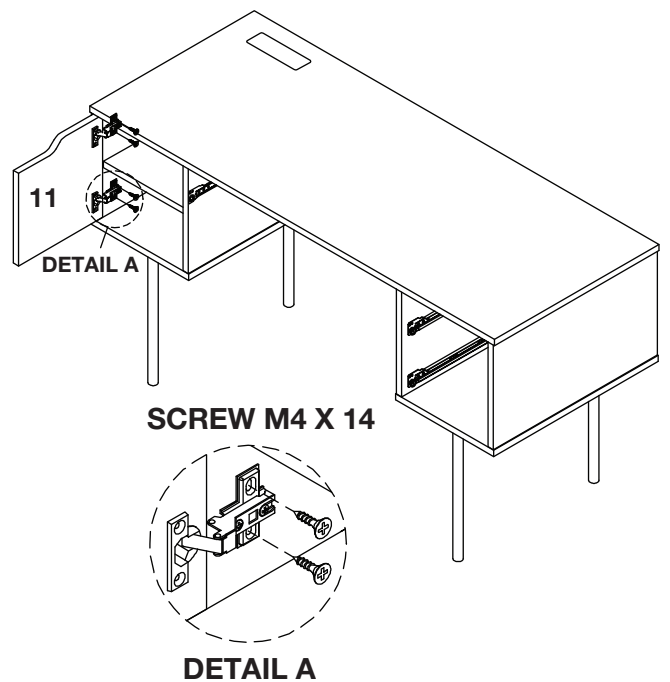
**STEP 18**



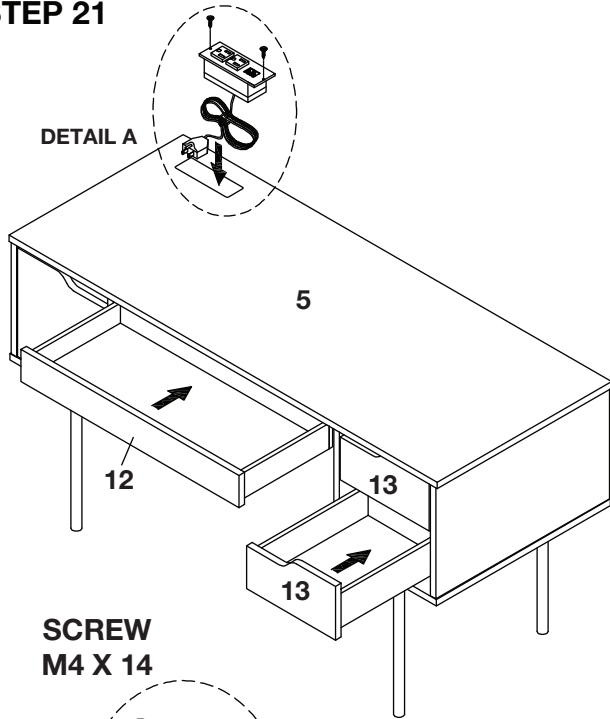
**STEP 19**



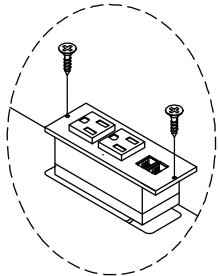
**STEP 20**



**STEP 21**



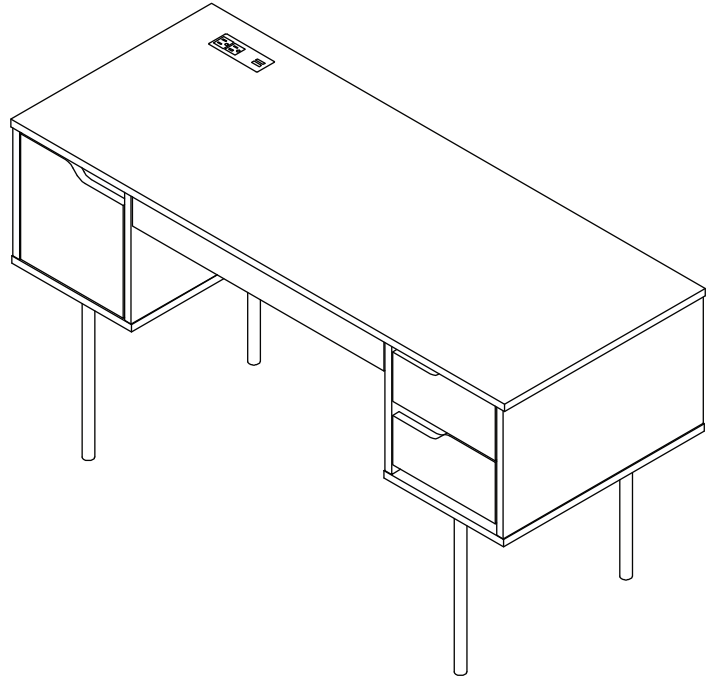
**SCREW**  
**M4 X 14**



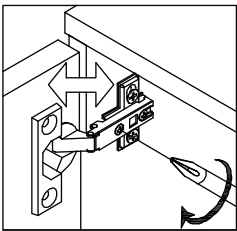
**SOCKET**

**DETAIL A**

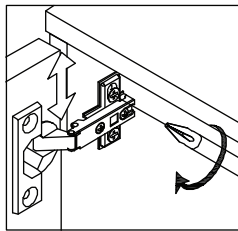
**STEP 22**



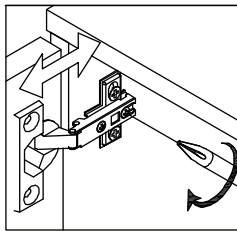
**HINGES ADJUSTMENT FACILITIES :**



A. Lateral adjustment by screw adjusting.



B. Vertical adjustment via slot in the mounting plate.



C. Front-to-Back by the slacking the hinges arm mounting screw.

## FCC INSTRUCTIONS

NOTE: This equipment has been tested and found to comply with the limits for a Class B digital device, pursuant to Part 15 of the FCC Rules. These limits are designed to provide reasonable protection against harmful interference in a residential installation. This equipment generates, uses and can radiate radio frequency energy and, if not installed and used in accordance with the instructions, may cause harmful interference to radio communications. However, there is no guarantee that interference will not occur in a particular installation. If this can be determined by turning the equipment off and on, the user is encouraged to try to correct the interference by one or more of the following measures:

- Reorient or relocate the receiving antenna.
  - Increase the separation between the equipment and receiver.
  - Connect the equipment into an outlet on a circuit different from that to which the receiver is connected.
  - Consult the dealer or an experienced radio/TV technician for help.
- This device complies with Part 15 of the FCC Rules. Operation is subject to the following two conditions: (1) This device may not cause harmful interference, and (2) this device must accept any interference received, including interference that may cause undesired operation.
- Instruction shall caution users that modifications not approved by the party responsible for compliance could void user's authority to operate the equipment.