





# Dovetail Furniture

## BB275, ARNUAR BOOKCASE ASSEMBLY INSTRUCTIONS

### PRODUCT PARTS INCLUDED

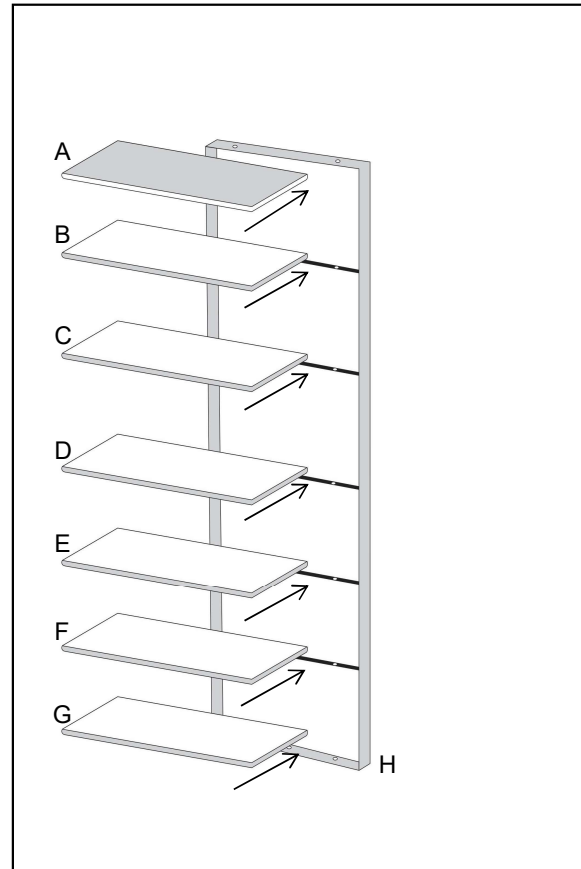
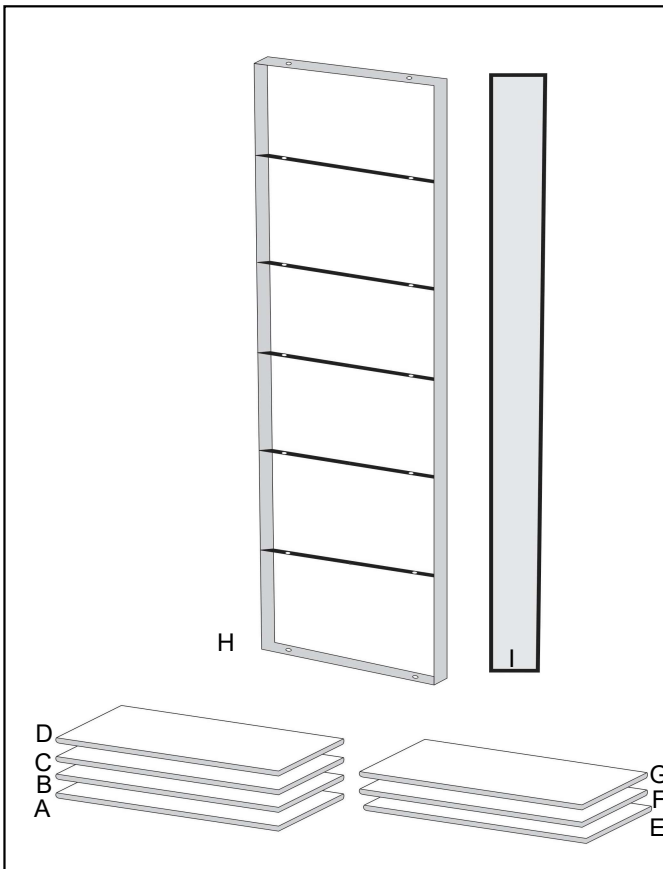
A-G (7) WOODEN SHELF  
H (1) IRON FRAME  
I (1) BACK PANEL

### HARDWARE PARTS INCLUDED

NO.	ITEM	DESCRIPTION	QTY.
1		ALLEN BOLT	14 Pcs
2		ALLEN BOLT	14 Pcs
3		ALLEN KEY	2 PCS
		Assembly Requires Two People and should not be assembled alone.	

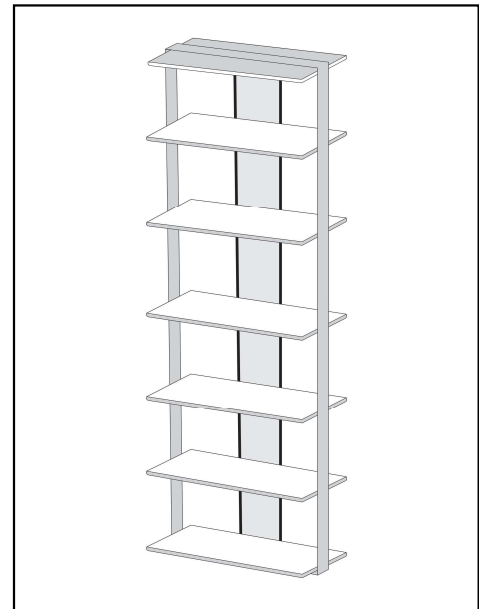
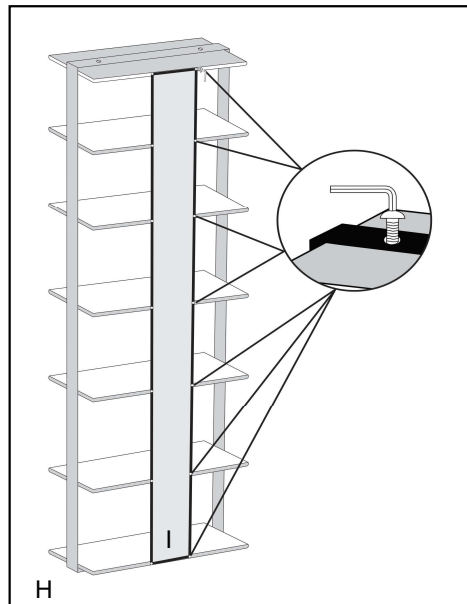
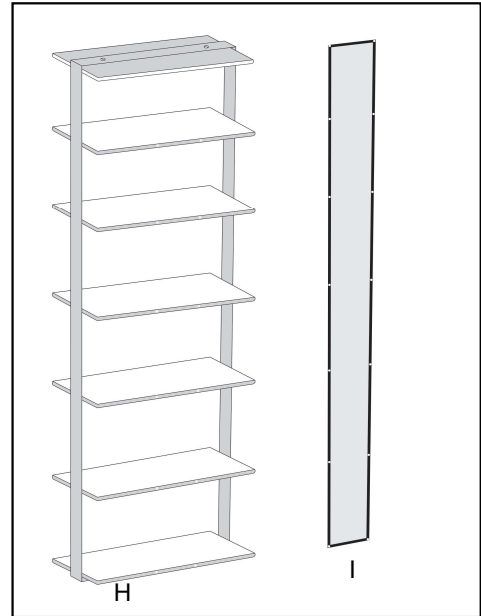
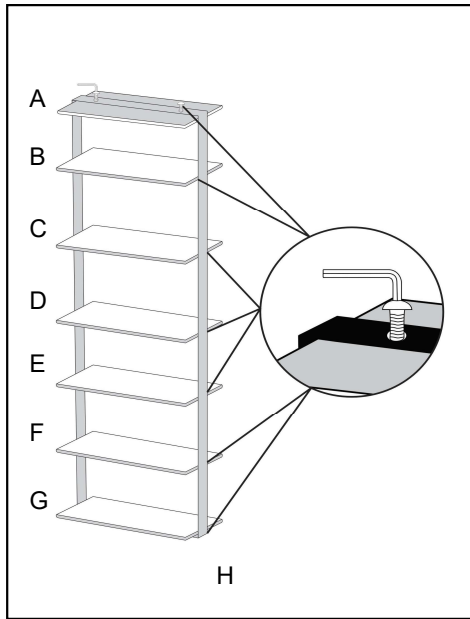
### ASSEMBLY INSTRUCTIONS

1. Carefully unpack the contents of the cartons.
2. Align/Match the holes of the wooden shelf to corresponding slots A, B, C, D, E, F, G with the iron frame (H).
3. Insert allen bolt and fully tighten allen bolt with the help of Allen key.
4. Turn the bookcase frame (H) backside.
5. Align/Match the holes of the back panel (I) with the iron frame (H).
6. Insert allen bolt and fully tighten allen bolt with the help of Allen key.
7. Assembly is completed.



# Dovetail Furniture

## BB275, ARNUAR BOOKCASE ASSEMBLY INSTRUCTIONS



### CARE INSTRUCTIONS

1. Clean periodically by wiping the bookcase with a soft clean cloth.
2. Do not use abrasive cleaners, chemical cleaners, or metal polishes. The metal frame has a protective lacquer finish that could be damaged by chemicals or abrasive cleaning agents.

### IMPORTANT SAFETY INSTRUCTIONS

1. Do not allow children to play on or around the bookcase.