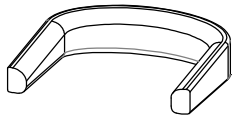


ASSEMBLY INSTRUCTIONS
ITEM: 3859-03 & 3859NAT-03 (COVE CUSHION BACK CHAIR)

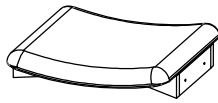
DO NOT FULLY TIGHTEN ALL BOLT UNTIL THE ENTIRE ITEM IS COMPLETELY ASSEMBLED

PART LIST

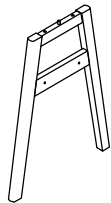
(A) Chair Arm (1Pc)



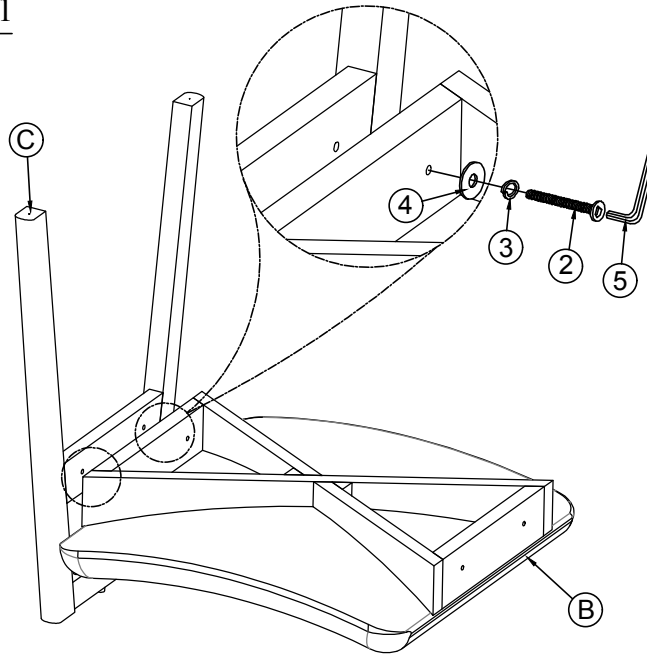
(B) Chair Seat (1Pc)



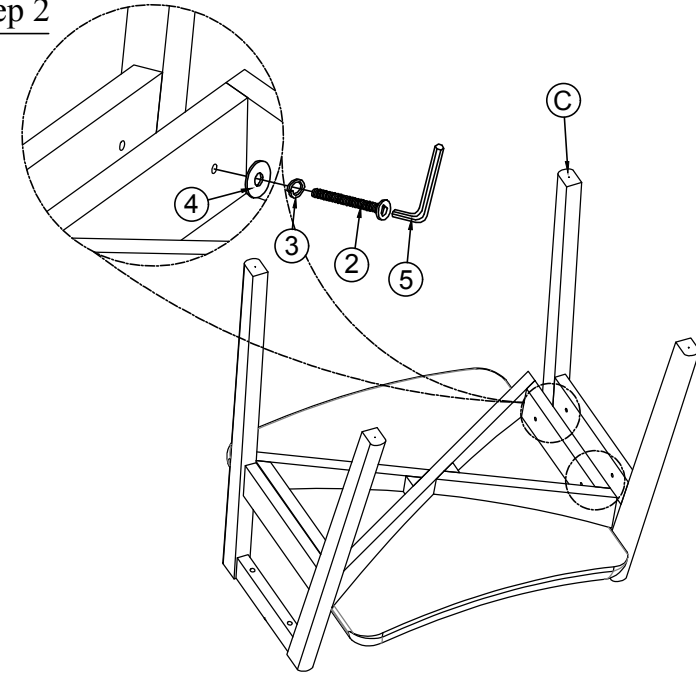
(C) Chair Legs (2Pcs)



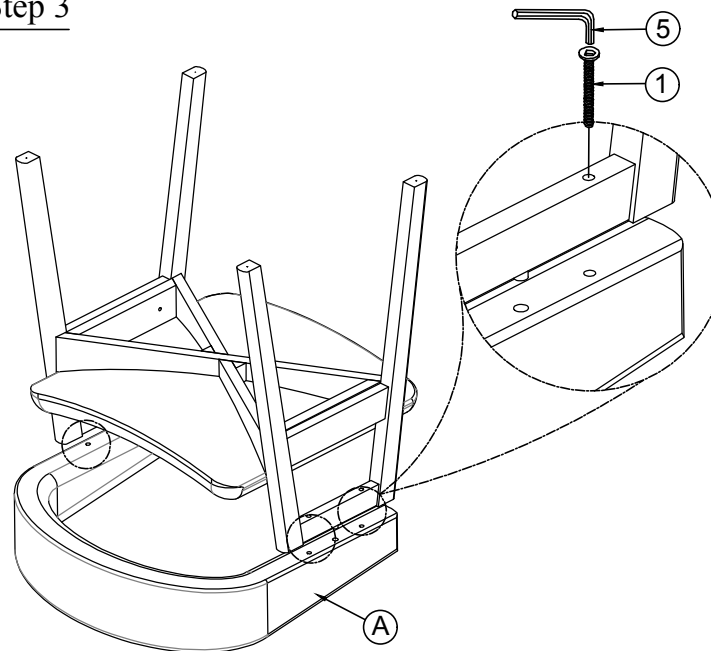
Step 1



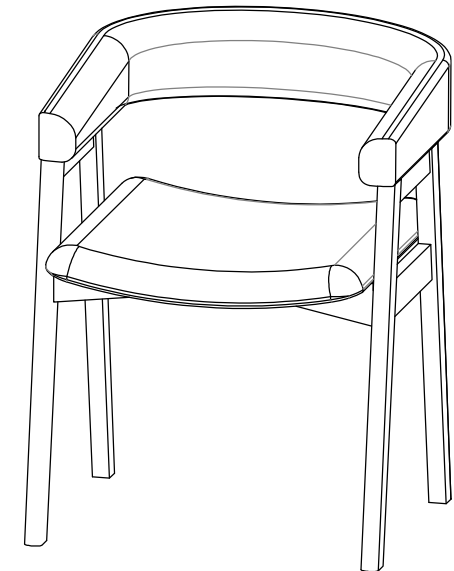
Step 2



Step 3



Step 4



COMPLETE

HARDWARE LIST

1 Long Bolt



Ø1/4" x 50mm
(4Pcs)

2 Short Bolt



Ø1/4" x 35mm
(4Pcs)

3 Spring Washer



Ø5/16" x 13mm
(4Pcs)

4 Flat Washer



Ø5/16" x 19mm
(4Pcs)

5 Allen Key



M4 (1Pc)