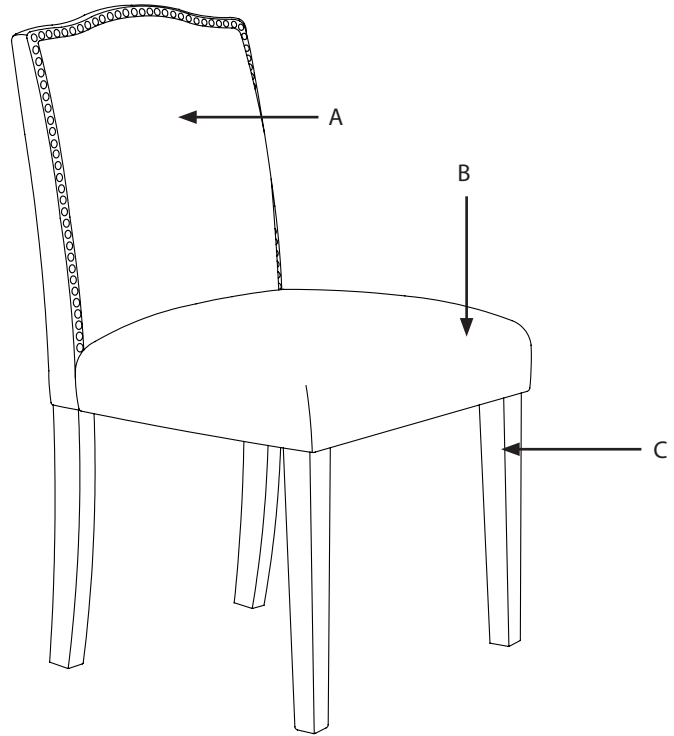


STANDARD DINING CHAIR ASSEMBLY

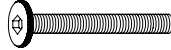


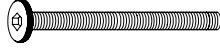


Components

ITEM	DESCRIPTION	QTY
A	Back	1
B	Seat	1
C	Legs	2

Please note: actual product may look different than illustration.



HARDWARE

- (H1) x 2 — 2" bolt 
- (H2) x 10 — spring washer 
- (H3) x 10 — 3/4" flat washer 
- (H4) x 4 — 3" bolt 
- (H5) x 4 — 2 1/4" bolt 
- (H6) x 1 — L wrench 

Please note: you will need a phillips head screwdriver for this assembly.

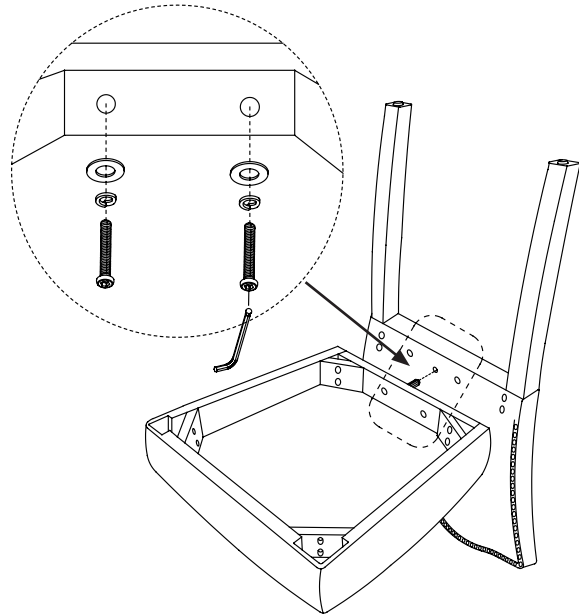
Step 1

1.1

Fit (B) seat into (A) back, making sure the wooden dowel fits in the center hole.

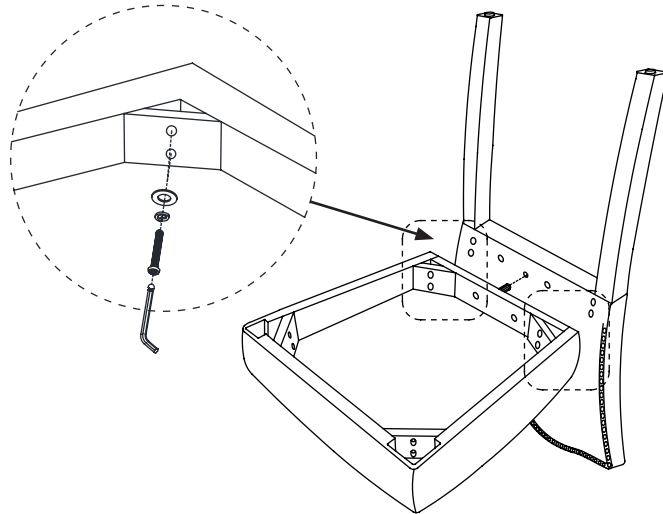
Attach the center section using (H1) bolts, (H2) spring washers and (H3) flat washers. Tighten using (H6) wrench.

Please note: Before tightening, make sure the bottoms of (A, B) are flush.



1.2

Finish attaching (B) seat to (A) back using (H4) bolts, (H2) spring washers and (H3) flat washers. Tighten using (H6) wrench.

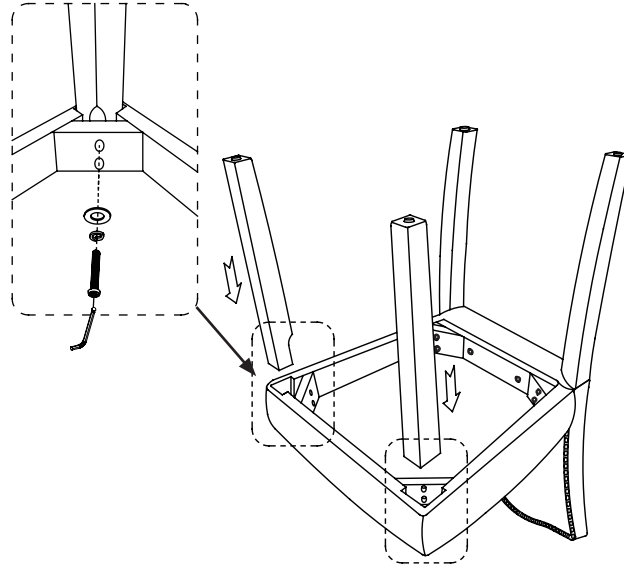


Step 2

2.1

Insert (C) legs to (B) seat and attach using (H5) bolts, (H2) spring washers and (H3) flat washers.

Please note: leave bolts loose until Step 3.1



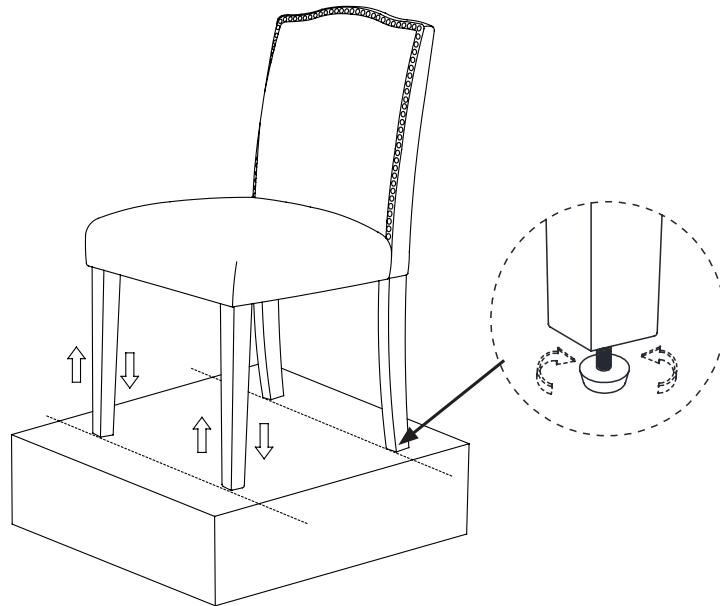
Step 3

3.1

Turn assembled chair upright and place on a flat surface. Push legs up or down as necessary to level.

Once level, tighten all bolts.

Please note: each (C) leg has an adjustable cap to help level your chair.



Warranty

LIMITED WARRANTY

Skyline Furniture Inc. guarantees its upholstered furniture against defects in construction for a period of one (1) year. When a structural defect is brought to our attention, we will repair or replace it at our option at no charge to the customer (includes parts and labor, not transportation costs). Fabric wearability for upholstered furniture is not covered by the warranty. Vacuum for regular cleaning.

Please dispose of plastic bag(s) and carton(s) responsibly.

LIMITE DE GARANTIA

Skyline Furniture Inc. garantiza sus muebles tapizados contra defectos en construcción por un periodo de un (1) año. Cuando un problema de estructura es traído a nuestra atención, nosotros repararemos o remplazaremos sin ningún cargo a nuestro cliente (incluye partes y trabajo, no costo en transportación). Descoloramiento del material de muebles tapizados no es cubierto por la garantía. Regularmente puede aspirar.

Por favor tirar bolsa(s) y caja(s) responsablemente.

GARANTIE LIMITÉE

Skyline Furniture Inc. garantit son meubles rembourrés contre les défauts de construction pour une durée d'un (1) an. Lorsqu'un défaut structurel est porté à notre attention, nous le réparerons ou le remplacerons à notre discrétion sans frais pour le client (comprend les pièces et la main d'oeuvre, pas les frais de transport). La portabilité du tissu pour les meubles rembourrés n'est pas couverte par la garantie. Passez l'aspirateur pour un nettoyage régulier.

Veillez jeter le(s) sac(s) en plastique et le(s) carton(s) de manière responsable.

