

# 91-61SL

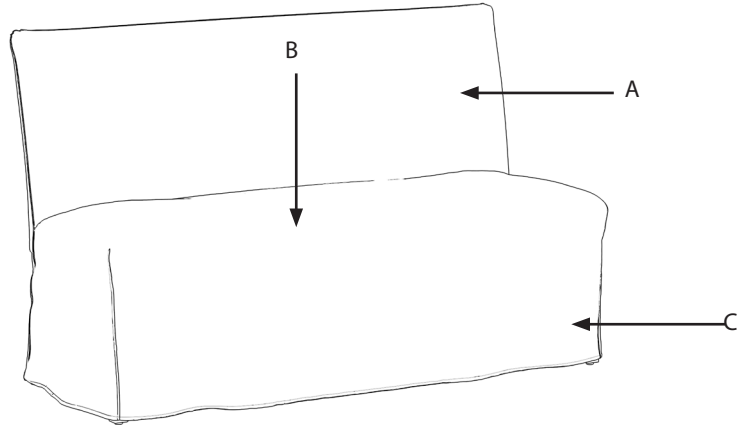
## DINING BANQUETTE ASSEMBLY

---

### Components

ITEM	DESCRIPTION	QTY
A	Back	1
B	Seat	1
C	Legs	2

*Please note: actual product may look different than illustration.*



### HARDWARE

---

- (H1) x 4 — 2 1/4" bolt
- (H2) x 8 — spring washer
- (H3) x 8 — 3/4" flat washer
- (H4) x 4 — 3" bolt
- (H5) x 1 — L wrench
- (H7) x 4 — 1 3/4" bolt

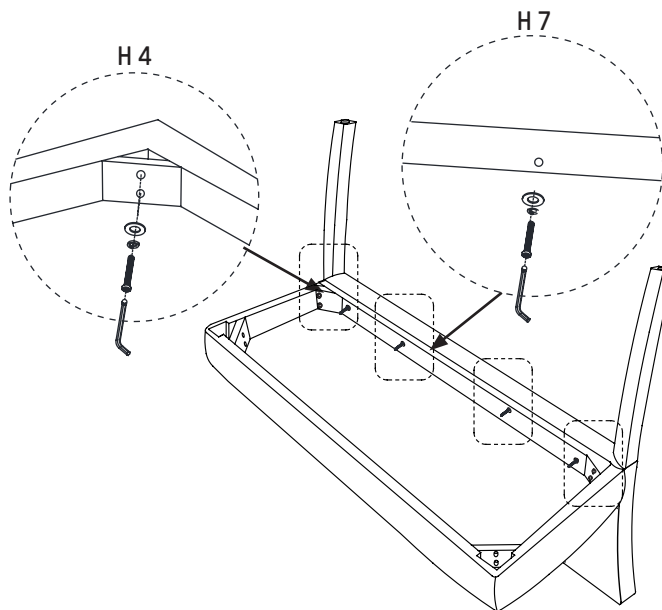
*Please note: you will need a wrench to complete this assembly.*

# Step 1

## 1.1

Attach (B) seat to (A) back using (H4) and (H7) bolts, (H2) spring washers and (H3) flat washers. Manually push the seat away to position it at a 90 degree angle for easier screw insertion. Loosely tighten using (H5) wrench.

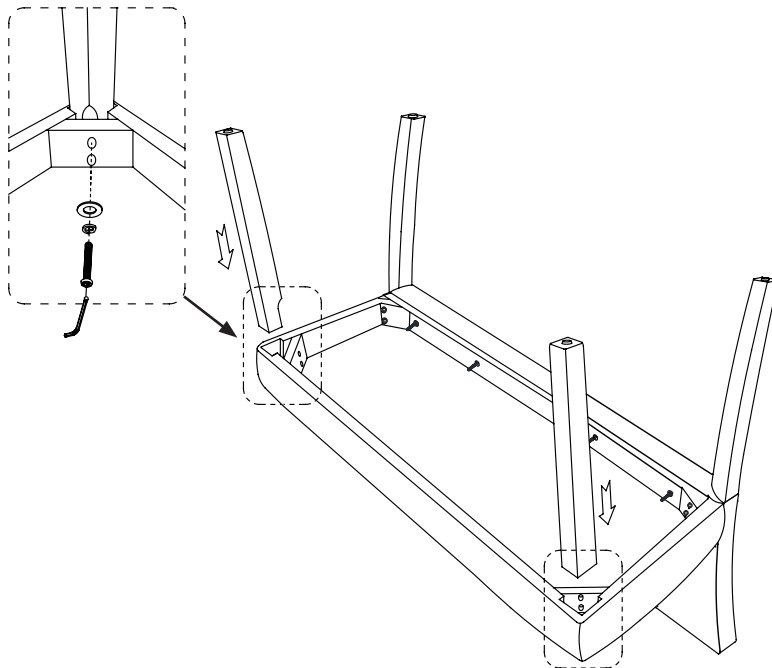
*Please note: Make sure the bottoms of (A,B) are flush and leave bolts loose until Step 1.2*



## 1.2

Insert (C) legs to (B) seat and attach using (H1) bolts, (H2) spring washers and (H3) flat washers.

*Please note: Secure all bolts tightly from Step 1.1 once (C) legs are attached correctly.*



## Step 2

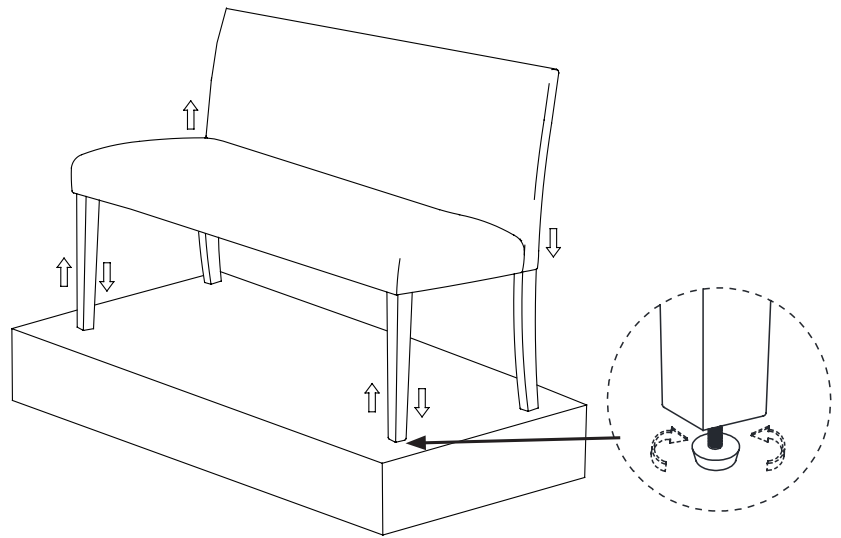
### 2.1

---

Turn assembled chair upright and place on a flat surface. Push legs up or down as necessary to level.

Once level, tighten all bolts.

*Please note: each (C) leg has an adjustable cap to help level your chair.*



## Step 3

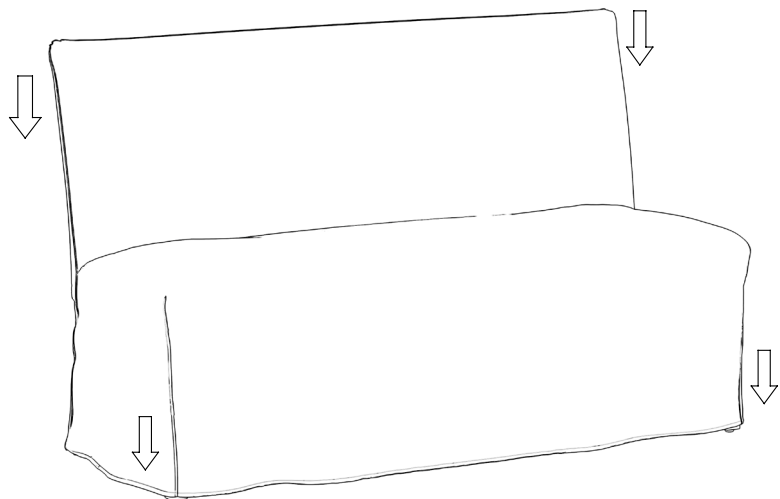
### 3.1

---

Gently drape upholstered slipcover over assembled banquette. Start with pulling the slipcover over the upholstered back (A) followed by the upholstered seat (B).

Adjust as needed to fit slipcover correctly.

*Please note: Slipcover length should be just above ground level.*



# Warranty

## LIMITED WARRANTY

---

Skyline Furniture Inc. guarantees its upholstered furniture against defects in construction for a period of one (1) year. When a structural defect is brought to our attention, we will repair or replace it at our option at no charge to the customer (includes parts and labor, not transportation costs). Fabric wearability for upholstered furniture is not covered by the warranty. Vacuum for regular cleaning.

**Please dispose of plastic bag(s) and carton(s) responsibly.**

## LIMITE DE GARANTIA

---

Skyline Furniture Inc. garantiza sus muebles tapizados contra defectos en construcción por un periodo de un (1) año. Cuando un problema de estructura es traído a nuestra atención, nosotros repararemos o remplazaremos sin ningún cargo a nuestro cliente (incluye partes y trabajo, no costo en transportación). Descoloramiento del material de muebles tapizados no es cubierto por la garantía. Regularmente puede aspirar.

**Por favor tirar bolsa(s) y caja(s) responsablemente.**

## GARANTIE LIMITÉE

---

Skyline Furniture Inc. garantit son meubles rembourrés contre les défauts de construction pour une durée d'un (1) an. Lorsqu'un défaut structurel est porté à notre attention, nous le réparerons ou le remplacerons à notre discrétion sans frais pour le client (comprend les pièces et la main d'oeuvre, pas les frais de transport). La portabilité du tissu pour les meubles rembourrés n'est pas couverte par la garantie. Passez l'aspirateur pour un nettoyage régulier.

**Veillez jeter le(s) sac(s) en plastique et le(s) carton(s) de manière responsable.**

