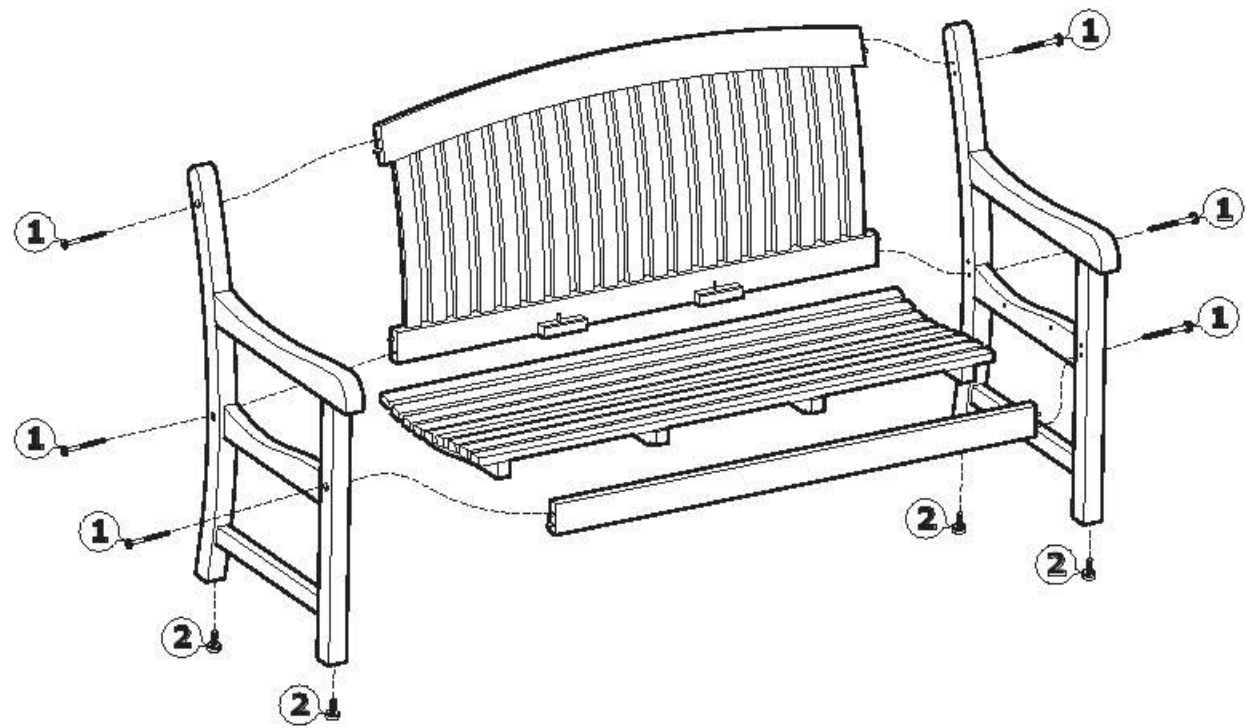
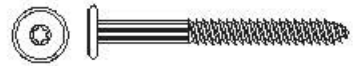
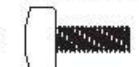
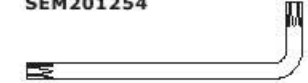




Assembly Instruction

Date : 06 May 2012, Revision : 1



- 1 
F-screw 6x80-T30, GS x 6 PCS
SEM201429
- 2 
Bench foot black, P x 4 PCS
SEM201254
- 3 
Torx key T30, GS x 1 PCS
SEM201430

SUMBAWA BENCH 44", TEA
SEM101012