

WARNING

*This portable lamp has a polarized plug (one blade is wider than the other) as a safety feature to reduce the risk of electric shock. this plug will fit in a polarized outlet only one way. if the plug does not fit fully in the outlet, reverse the plug, if it still does not fit, contact a qualified electrician.

*Never use with an extension cord unless the plug can be fully inserted. do not attempt to defeat this safety feature.

CARE AND MAINTENANCE

*Unplug lamps before using any cleaning solutions. Dust shades with a feather duster or with an appropriate vacuum-brush attachment. Wipe with a soft, dry cloth and clean lamp bases with the methods appropriate to the material. Avoid the use of chemicals and household cleaners as they may damage the finish.

NOTICE& IMPORTANT SAFETY INSTRUCTIONS

* Please make sure that you have all parts indicated before you begin assembly of this item

* This item should be assembled on a soft surface to prevent scratching the finish during assembly

* To reduce the risk of fire, electrical shock or injury to persons or property, please follow the guideline below for safe use and installation

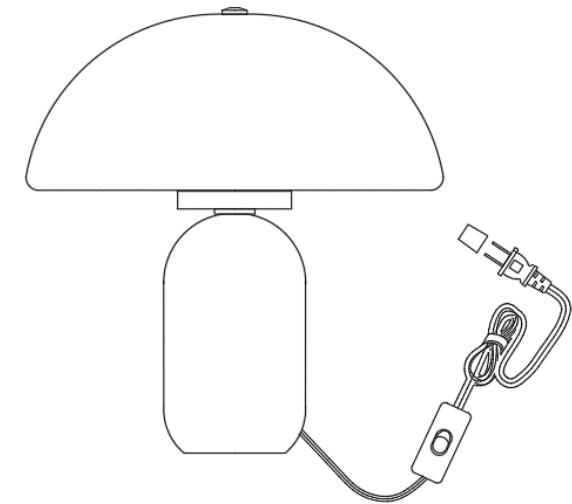
* The external flexible cable or cord of this luminaire cannot be replaced

* If the cord is damaged, the luminaire shall be destroyed







Model# TBL4530

Product Dimensions: 11.75"Lx 11.75"W x13.75"H



Part List and Hardware List

PIECE	DESCRIPTION	PICTURE	QUANTITY	PIECE	DESCRIPTION	PICTURE	QUANTITY
A	Glass Shade		1X	C	Socket		1X
B	Lamp body		1X	D	Bulb		1X

PREPARATION

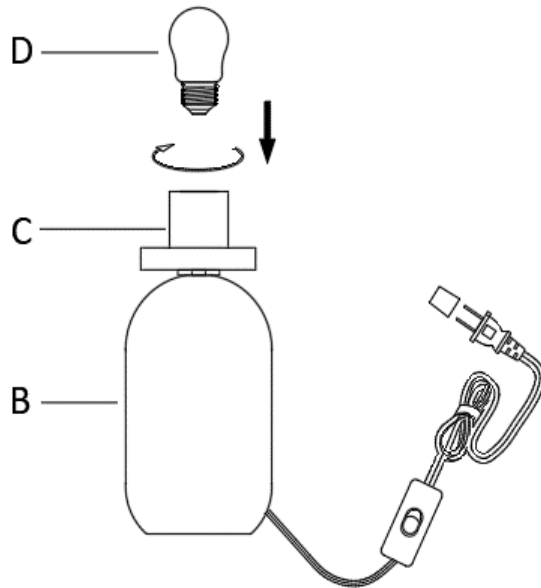
* Before beginning assembly of product, make sure all parts are present. Compare parts with package contents list and hardware contents list.

* If any part is missing or damaged, do not attempt to assemble the product.

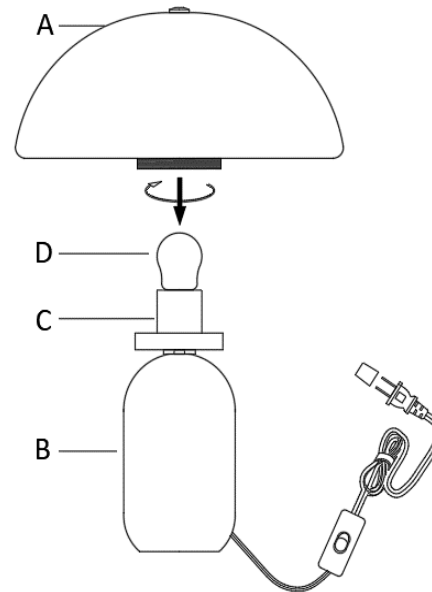
* Estimated Assembly Time: 6 minutes.

* If you are having difficulty, our friendly Customer Care team is always here to help. Please email customersupport@safavieh.com

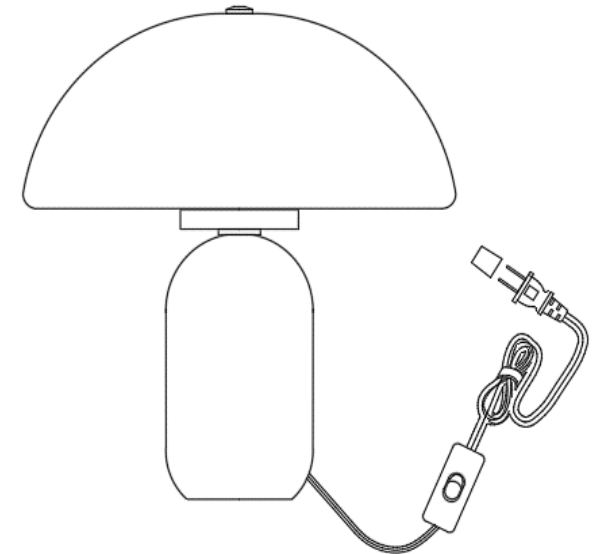
NOTE: PLEASE USE ON/OFF TYPE "A" BULB MAX 25-WATT OR LED 5W MAX BULB THERE IS LED 4-WATT BULB IN THE BOX



Step 1: Insert the bulb (D) into the socket (C) and tighten it.



Step2: Insert the Glass Shade (A) into the Lamp body (B) and tighten it.



Step3: Put the light on a level surface to check if everything is stable.