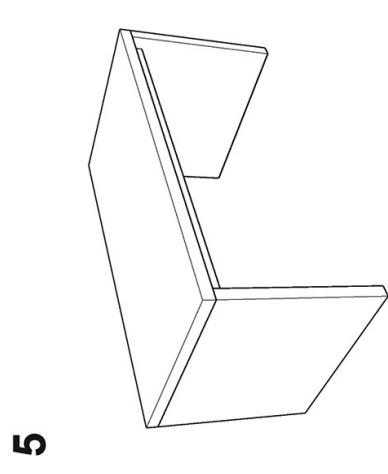
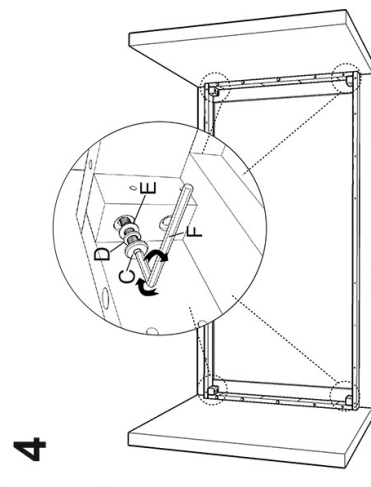
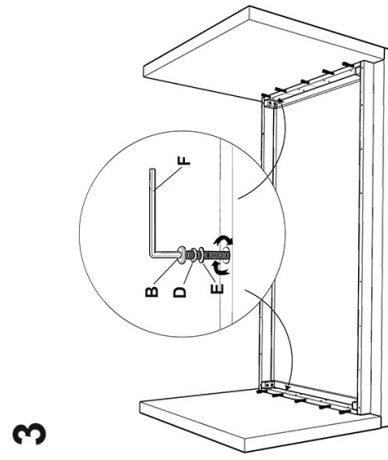
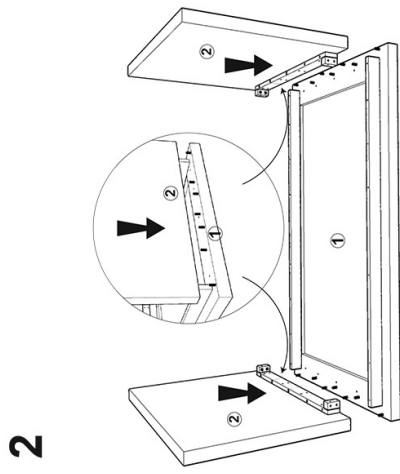
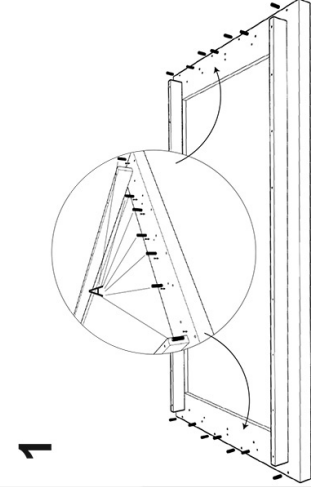


ASSEMBLY INSTRUCTIONS

| NO | COMPONENT | QTY |
|----|-----------|-------|
| 1 | TOP PANEL | 1 PC |
| 2 | LEG | 2 PCS |

| NO | HARDWARE | QTY |
|----|-------------------|--------|
| A | WOOD DOWEL | 14 PCS |
| B | JCBC BOLT M6X60MM | 10 PCS |
| C | JCBC BOLT M6X40MM | 8 PCS |
| D | SPRING WASHER | 18 PCS |
| E | FLAT WASHER | 18 PCS |
| F | L-KEY | 1 PC |



FULLY ASSEMBLE