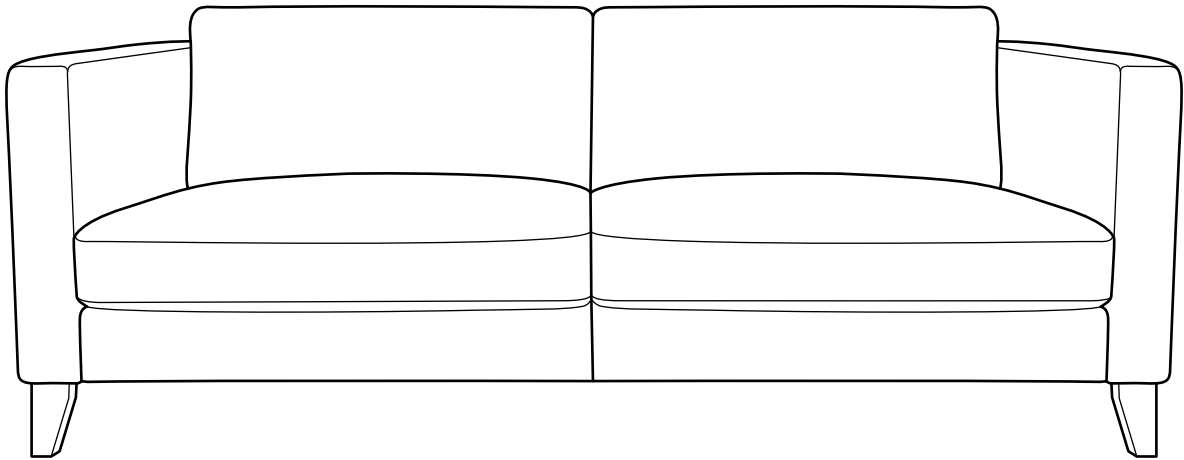


# WORLD MARKET®

## Assembly Instructions

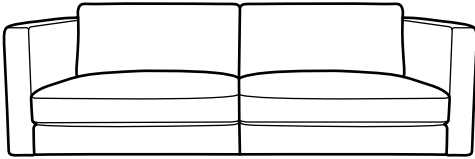


ABRIE SOFA LEATHER  
SKU-613114



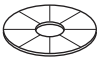
THANK YOU FOR YOUR PURCHASE. IF YOU HAVE ANY QUESTIONS  
PERTAINING TO THE ASSEMBLY OF THIS FURNITURE PIECE,  
PLEASE CONTACT THE NEAREST WORLD MARKET STORE.  
IF YOU ARE NOT NEAR A STORE, PLEASE CALL OUR CUSTOMER SERVICE CALL  
CENTER TOLL FREE AT 877-967-5367 FOR ASSISTANCE.

NOT FOR COMMERCIAL USE.

## Component List

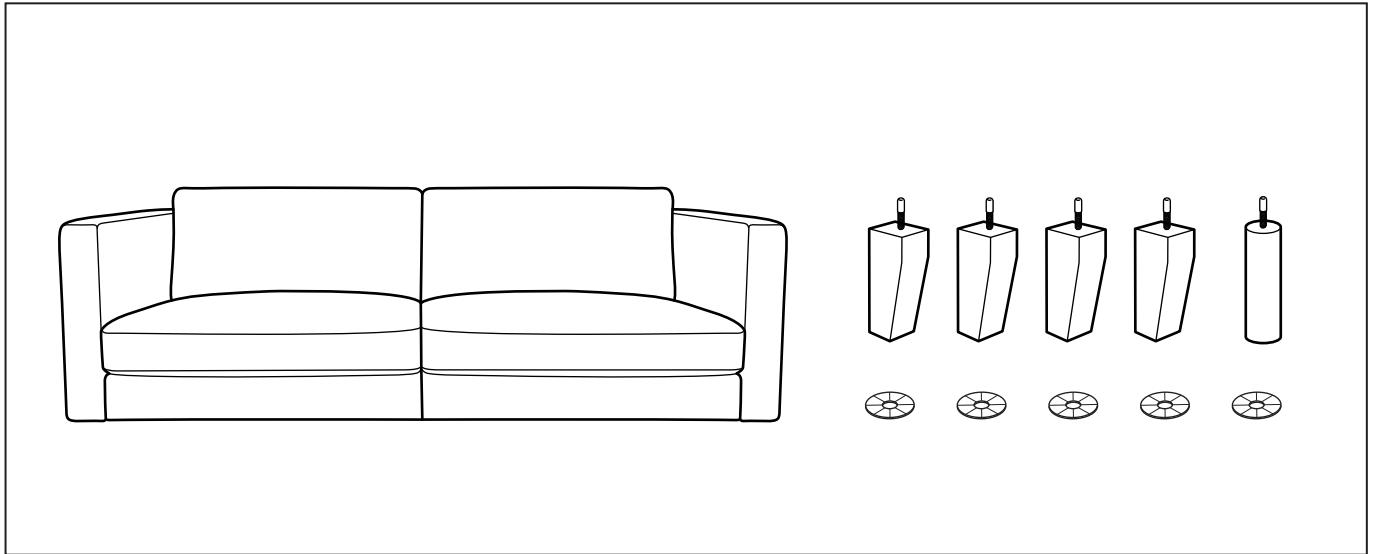
LABEL		DESCRIPTION	QUANTITY
A		Sofa Unit	1
B		Leg	4
C		Support Leg	1

## Hardware List

LABEL		DESCRIPTION	QUANTITY
H-1		Plastic Washer	5

# Assembly Preparation

Before Beginning :



**Unpack all hardware bags and components to ensure you have all parts.**



**Read instructions, cover to cover.**



**Have two adults on hand for assembly.**



**Do not assemble on flooring or carpet.**



**Assemble on a clean non-marring surface (packing foam).**

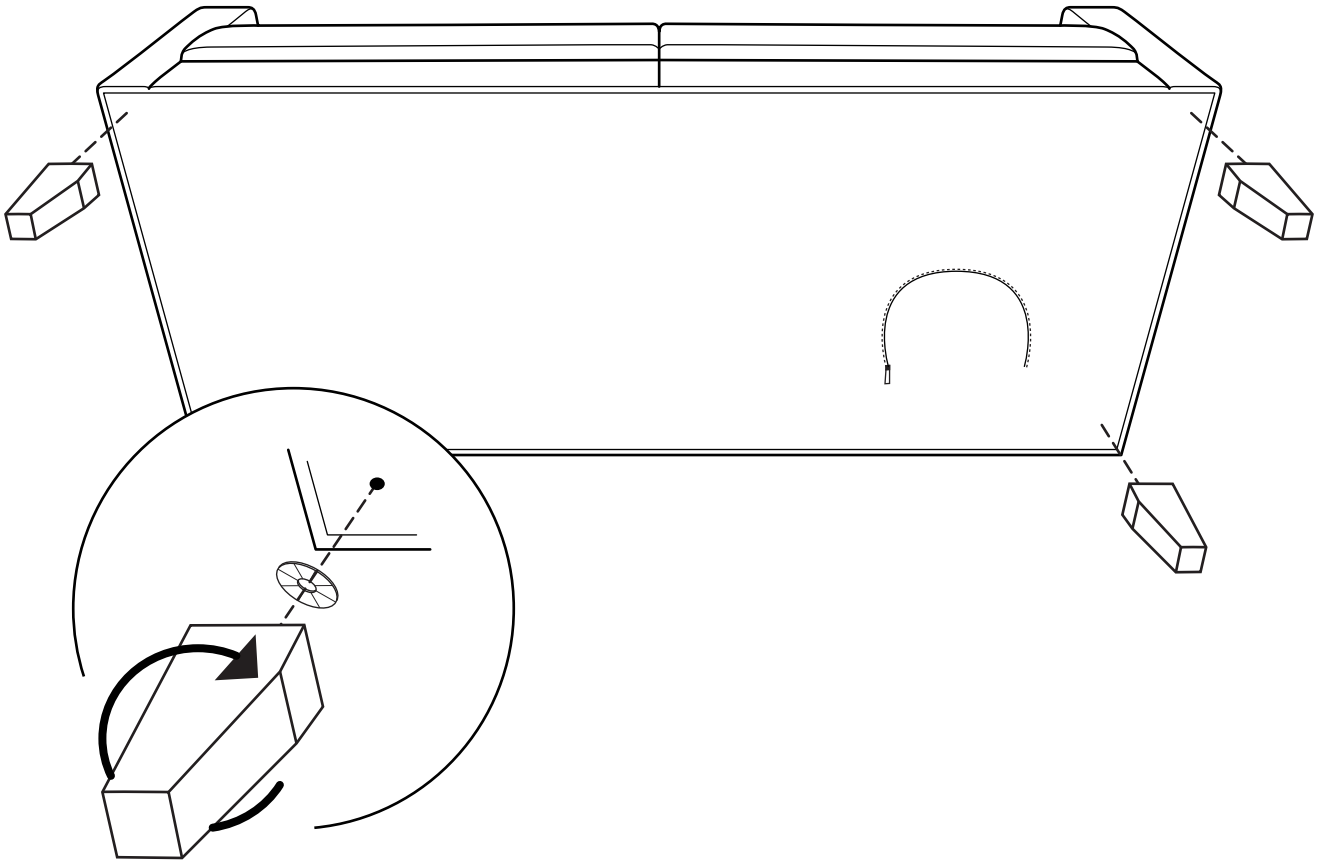


**Save all packaging until finished.**

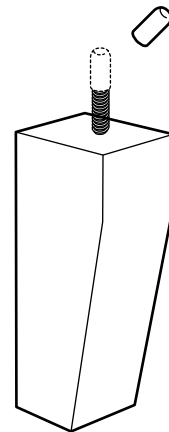


**Incase of missing parts, please contact your nearest World Market Store or our customer service call center 877-697-5362.**

## Step 1

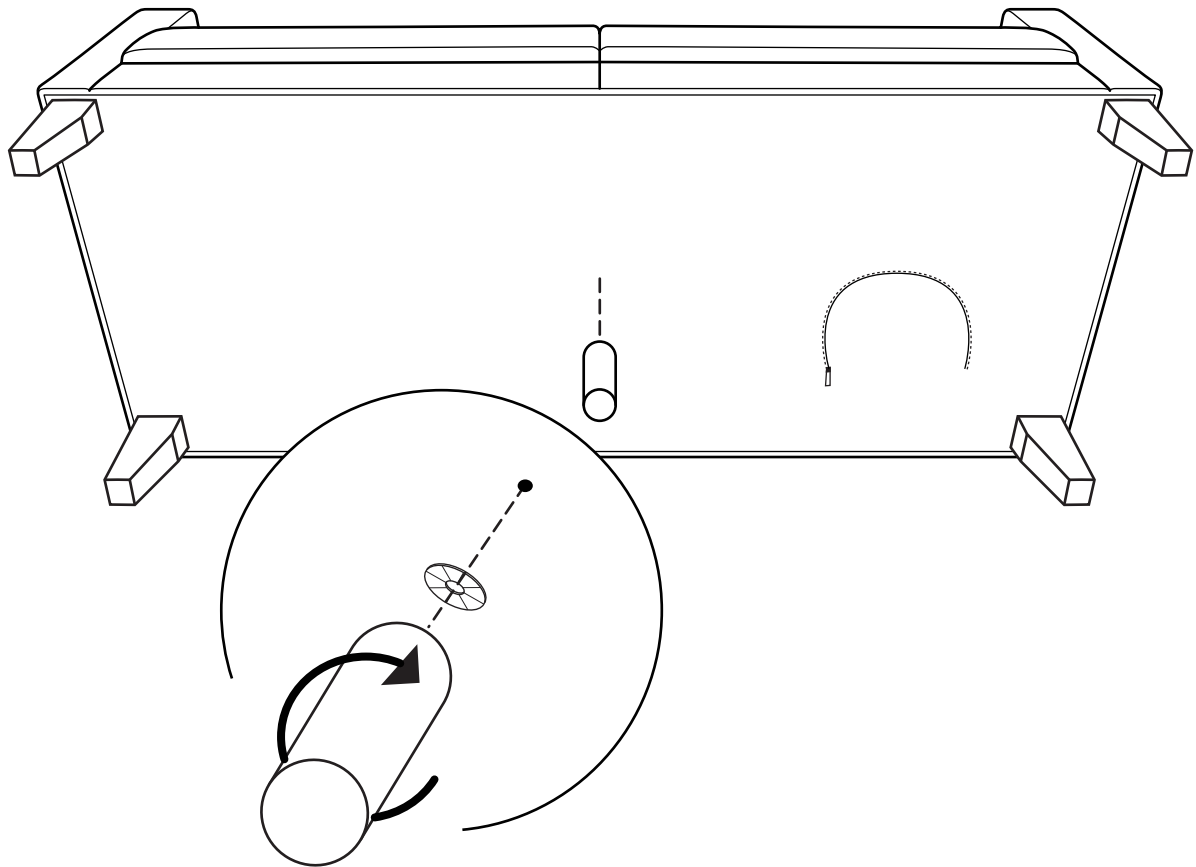


**NOTE: The plastic cap needs to be removed completely to expose the thread before secure Legs (B) into position.**

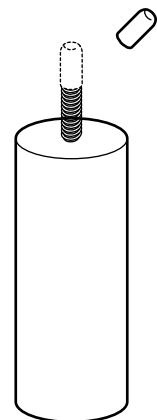


Carefully place Sofa Unit (A) on its back into a padded, non-marring surface. Unzip flap in dust cover and remove all legs and hardware. Secure Legs (B) each with a Plastic Washer (H-1), into position. Rotate clockwise until fully tightened. **NOTE: The angled surface of each leg should face inward as shown.**

## Step 2



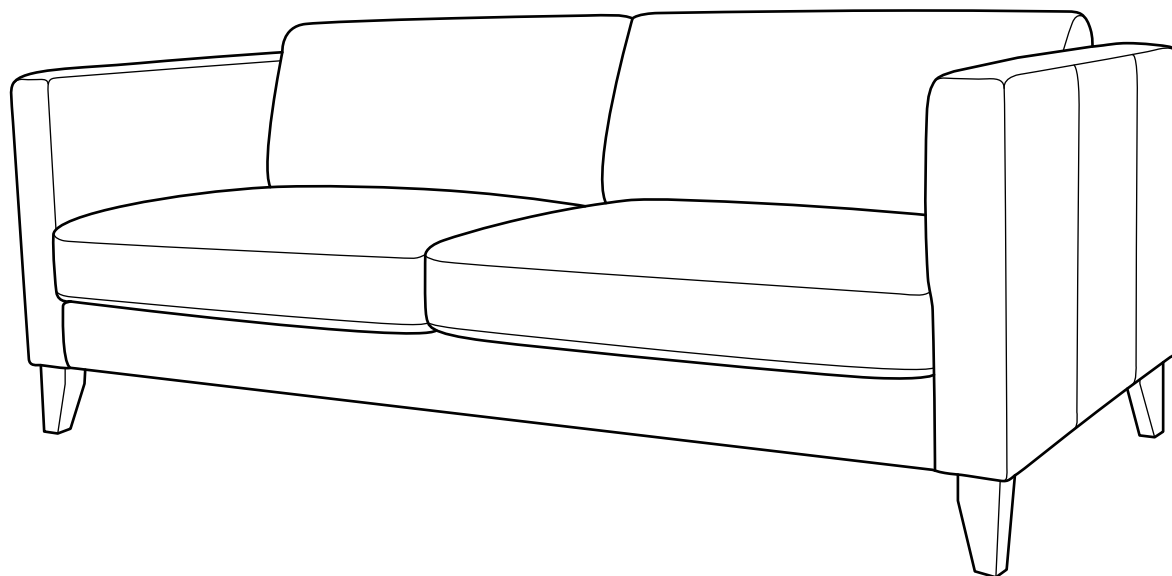
**NOTE: The plastic cap needs to be removed completely to expose the thread before secure Support Legs (C) into position.**



Secure Support Leg (C) with a Plastic Washer (H-1), into position. Rotate clockwise until fully tightened.

## Step 3

Carefully lift and turn the assembled unit on its legs. Ensure that it rests evenly and level on all four legs.



**ENSURE ALL LEGS ARE FULLY TIGHTENED  
EVERY 3 MONTHS TO ENSURE STABILITY**

# Care and Maintenance



**Do not put hot items directly on furniture surface.**



**Do not clean furniture with harsh cleaners or polish.**



**Do not clean furniture in direct sunlight.**



**Do not place furniture near heating or cooling vents.**



**Do not write on furniture without a padded barrier to protect the surface.**



**Do not place furniture outside. For indoor use only.**



**Not for commercial use, for residential use only.**



**Dust and pick-up spills using a clean, non-colored, lint-free cloth**

# WORLD MARKET®

## LIMITED ONE-YEAR WARRANTY - INDOOR FURNITURE

For your customer satisfaction, this product carries a **LIMITED ONE-YEAR WARRANTY** from the date of purchase. This limited warranty only applies to World Market brand furniture, and not to other furniture brands sold on World Market's website.

Where applicable, the limited warranty provides coverage for:

1. **Cushions & Cushions with Enclosed Steel Pocket Coils:** Failed or ruptured steel pocket coils enclosed inside of seat cushions or loss of resiliency from a material breakdown of foam or fiber filling, which should not be confused with softening or settling during normal use.
2. **Leather:** Splitting or cracking of leather material. NOTE: The warranty does NOT cover natural hide markings, variations in the leather color or grain due to the authentic natural properties of processed cowhide leather.
3. **Bonded Leather or Bi-cast Leather:** Separation of the polyurethane coating, peeling or cracking of the inner layer or at the bonded seam edges (bi-cast straps).
4. **Furniture Components (Hardware & Mechanisms):** Includes defects to pre-installed components or hardware provided to the customer for assembly such as office chair hydraulic lifts, lift mechanisms, metal bases and casters, swivel plate mechanisms; for drawers, metal glides, handles/knobs; for doors, hinges, magnetic latches; and other components such as bent or stripped threaded leg posts and adjustable levelers. For missing, damaged, corroded, or misplaced hardware components such as bolts or washers, please contact Customer Service at: 877-967-5362.

This LIMITED ONE-YEAR WARRANTY does NOT cover:

1. Damage due to mishandling during transportation from store or transportation without original protective packaging.
2. Abuse, negligence (product misuse) or wear and tear that may result in or from:
  - a. **Wood & Veneer:** Mishandling, exposure to moisture, peeling or discoloration caused by exposure to moisture or excessive sunlight, heat; splintered, dented or nicked panels, legs or component edges or paint/finish blemishes; or treatment with corrosive chemicals (dyes, inks, paints or harsh cleaning products).
  - b. **Fabric & Leather (Including Bonded or Bi-Cast Leathers):** cuts, punctures, tears, burns, pet damage, or treatment with corrosive chemicals (dyes, inks, paints or harsh cleaning products), exposure to direct sunlight, fire, high heat, water, or any bright light source (natural or artificial) that may cause splitting, peeling or flaking with time.
  - c. **Foam (Cushions):** Flattening, relaxing or settling/softening of foam components that comes with normal use.
  - d. **Hardware Components:** improper installation or misuse/substitution of hardware components not defined in the Assembly Instructions for the product (if applicable)
3. Damage due to environmental exposure to direct sunlight, fire, high heat, water or extreme humidity, any bright light source (natural or artificial), or any environment that the product is not intended for.
4. This warranty is applicable for indoor furniture products purchased for residential use only.

For additional information on returns, please visit: <https://www.worldmarket.com/category/customer-service/returns.do>

**NOT FOR COMMERCIAL USE: Products purchased for commercial use will VOID all warranty provisions as listed above.**

Any claims under this LIMITED ONE-YEAR WARRANTY are valid and applicable only as to the original purchaser and must be accompanied by proof of purchase. Warranty claims should be submitted directly to a Cost Plus World Market store or through World Market Customer Service Call Center, Toll Free at 877-967-5362.

For valid warranty claims, World Market will repair or replace the product, or offer a full or partial credit, in the sole discretion of World Market. This LIMITED ONE-YEAR WARRANTY gives you specific legal rights and you may also have other rights which vary from state to state.



# WORLD MARKET®

## VINTAGE ANILINE LEATHER CARE

Vintage Leather, also known as Aniline Leather, is highly sought after due to its natural look, softness and superior seating comfort.

Aniline leather has unique surface characteristics including visible pores and scars making each piece of leather different from any other.

With minimal surface layers applied Aniline Leather will easily scratch and stain however over time these marks will blend in with the natural beauty and natural characteristics of the leather.

Aniline Leather is sensitive to UV and should be kept away from direct sunlight and excessive heat.

Regular maintenance is recommended including light dusting. Furthermore using 'lukewarm' purified water together with a damp soft white cloth is recommended for cleaning purposes. It should be noted that the salts and body oils occurring naturally in human skin can damage the surface of the leather if left uncleaned for lengthy periods. It remains important that the leather is cleaned regularly (approx. every 3-4 months and more frequently in hot and humid weather). This will prevent all perspiration, body oils and any dirt being embedded in the grain causing leather to peel and crack.

Following cleaning allows the leather to air dry naturally, 'DO NOT USE HAIR DRYERS OR THE LIKE' as this will cause fading, drying out and general deterioration of the leather.

Should you choose a commercially available leather care product you must ensure it is specifically recommended for use on Aniline Leather and always follow the instructions carefully.