



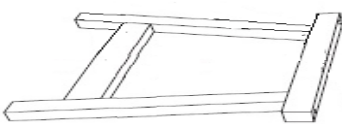


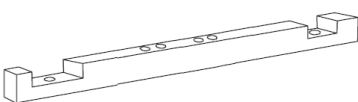
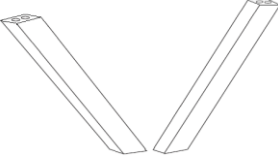

ASSEMBLY INSTRUCTIONS

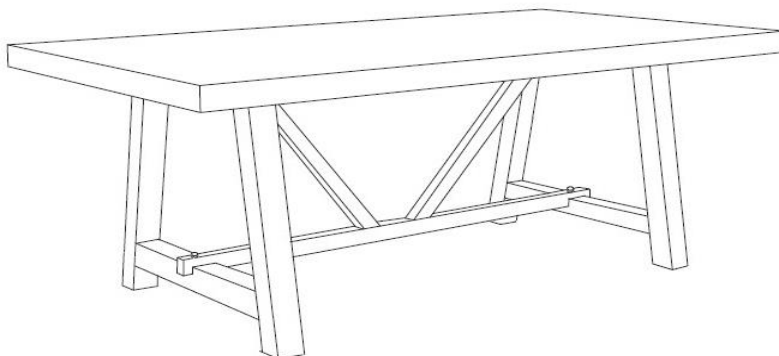
MODEL : 3269-01 RAQUEL DINING TABLE

Please read instructions carefully

Remove all wrapping materials, staples and packing straps from the carton. Refer to Parts List and Hardware List and ensure they are complete before you start assembling. Place all wooden parts on a clean, flat and soft surface (e.g carpet or rug) to prevent parts from being scratched.

- CAUTIONS:** 1) DO NOT FULLY TIGHTEN BOLTS AND NUTS UNTIL ALL PARTS HAVE BEEN ASSEMBLED.
 2) DO NOT OVER-TIGHTEN BOLTS AND NUTS .
 3) KEEP ALL HARDWARE PARTS OUT OF REACH OF CHILDREN.

Carton	Designation	Part List	Hardware List
1	TABLE TOP	 P1 x 1pc	 H1 x 12pc
	TRESTLE LEG FRAME	 P2 x 2pc	M6x35mm JCBC SCREW
	TOP BAR	 P3 x 1pc	 H2 x 8pc
	LEG STRETCHERS	 P4 x 1pc	M6x60mm JCBC SCREW
	DIAGONAL STRETCHER	 P5 x 2pc	 H3 x 12pc



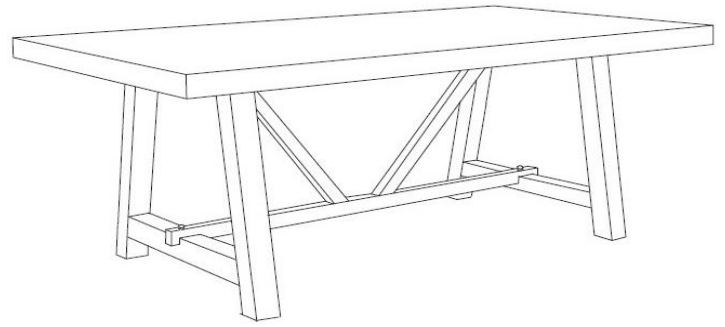
COMPLETE ASSEMBLY

ASSEMBLY INSTRUCTIONS

MODEL : 3269-01 RAQUEL DINING TABLE








PARTS LIST (FOR 1 TABLE)

NO.	COMPONENT	QTY.
P1	TABLE TOP	1
P2	TRESTLE LEG FRAME	2
P3	TOP BAR	1
P4	LEG STRETCHERS	1
P5	DIAGONAL STRETCHER	2



COMPLETE ASSEMBLY

HARDWARE LIST (FOR 1 TABLE)

NO.	DESCRIPTION	QTY.
H1	JCBC SCREW M6 x 35MM 	12
H2	JCBC SCREW M6 x 60MM 	8
H3	SPRING WASHER 	12
H4	FLAT WASHER 	12
H5	BOLT & NUT 1/2" Ø X 4 1/2" 	2
H6	M4 x 32MM CSK SCREW 	2
H7	ALLEN KEY 	1

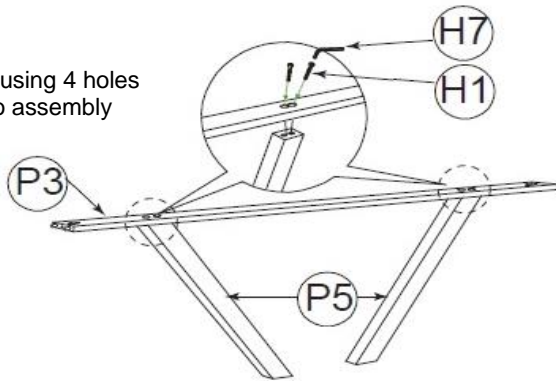
* HOUSEHOLD SCREWDRIVER (NOT PROVIDED)
 * HOUSEHOLD WRENCH (NOT PROVIDED)
 * MALLET (NOT PROVIDED)

STEP 1

Assemble both diagonal Stretchers (P5) into the Top bar (P3) by aligning Bolts (H1). Use Allen Key (H7) to tighten the bolts.

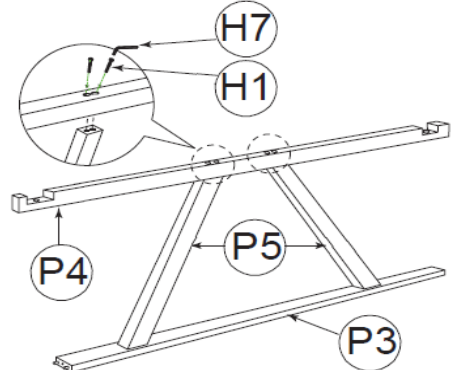
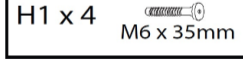


Make sure using 4 holes face (P3) to assembly



STEP 2

Assemble both Diagonal Stretchers (P5) into the Leg Stretcher (P4) by aligning Bolts (H1). Use Allen Key (H7) to tighten the bolts



STEP 3

Attach the Stretcher Frame (consist of P3, P4 & P5) into one Trestle Leg Frame (P2), align Screw (H6) through holes in (P3). Tighten it using an household screwdriver



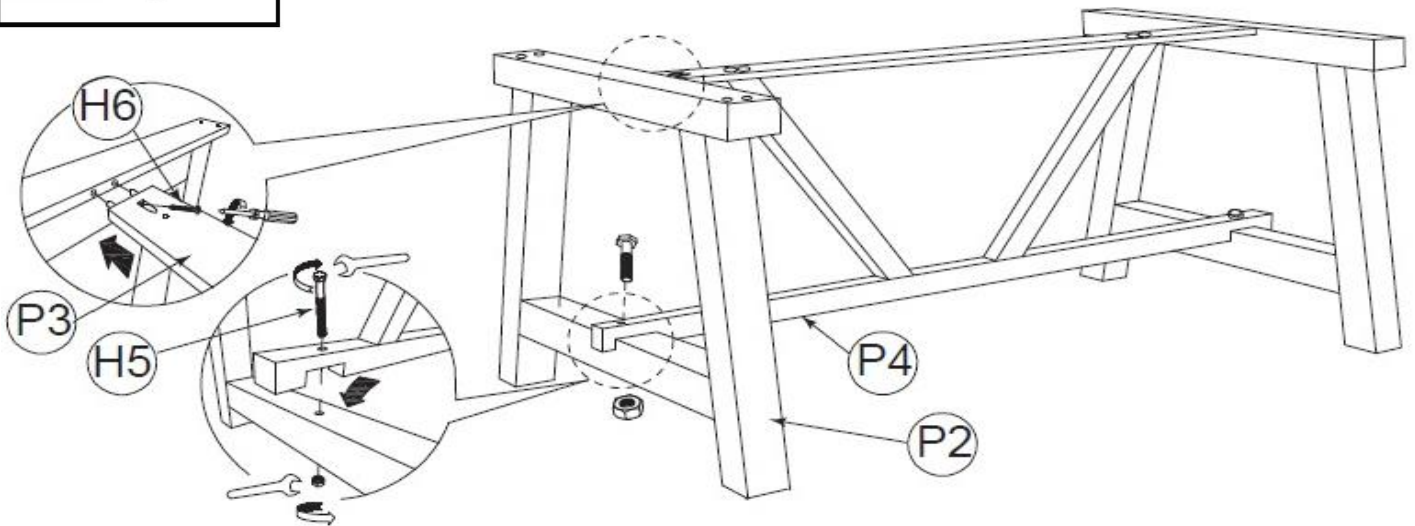
Then, align Bolt (H5) through a hole in (P4) into a hole in the Trestle Leg frame (P2) right to the Nut. Tighten it using a household Wrench.

STEP 4

H6 x 1 
M4 x 32mm


H5 x 1  


Now repeat same process on the other side of the Trestle Leg Frame and Attach the Stretcher Frame (consist of P3, P4 & P5) to complete the base assembly step. Again, align Screw (H6) through holes in (P3). Tighten it using an household screwdriver.




Then, align Bolt (H5) through a hole in (P4) into a hole in the Trestle Leg frame (P2) right to the Nut. Tighten it using a household Wrench

STEP 5

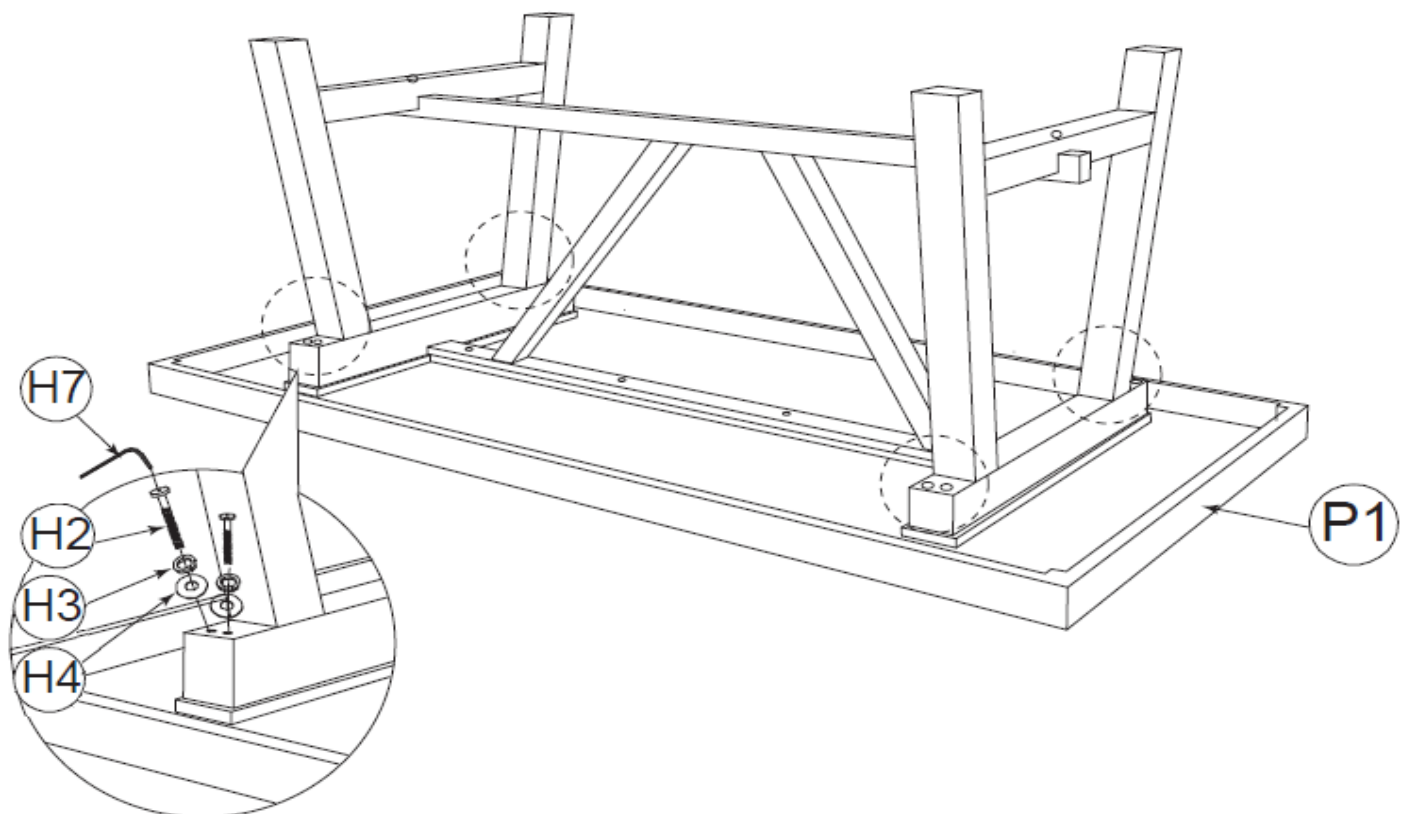
H2 x 8 
M6 x 60mm

H3 x 8 

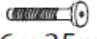


H4 x 8 

Prepare the Table top (P1) by placing it upside down on a soft clean surface (cardboard, blanket or carpet), to protect it from scratches.

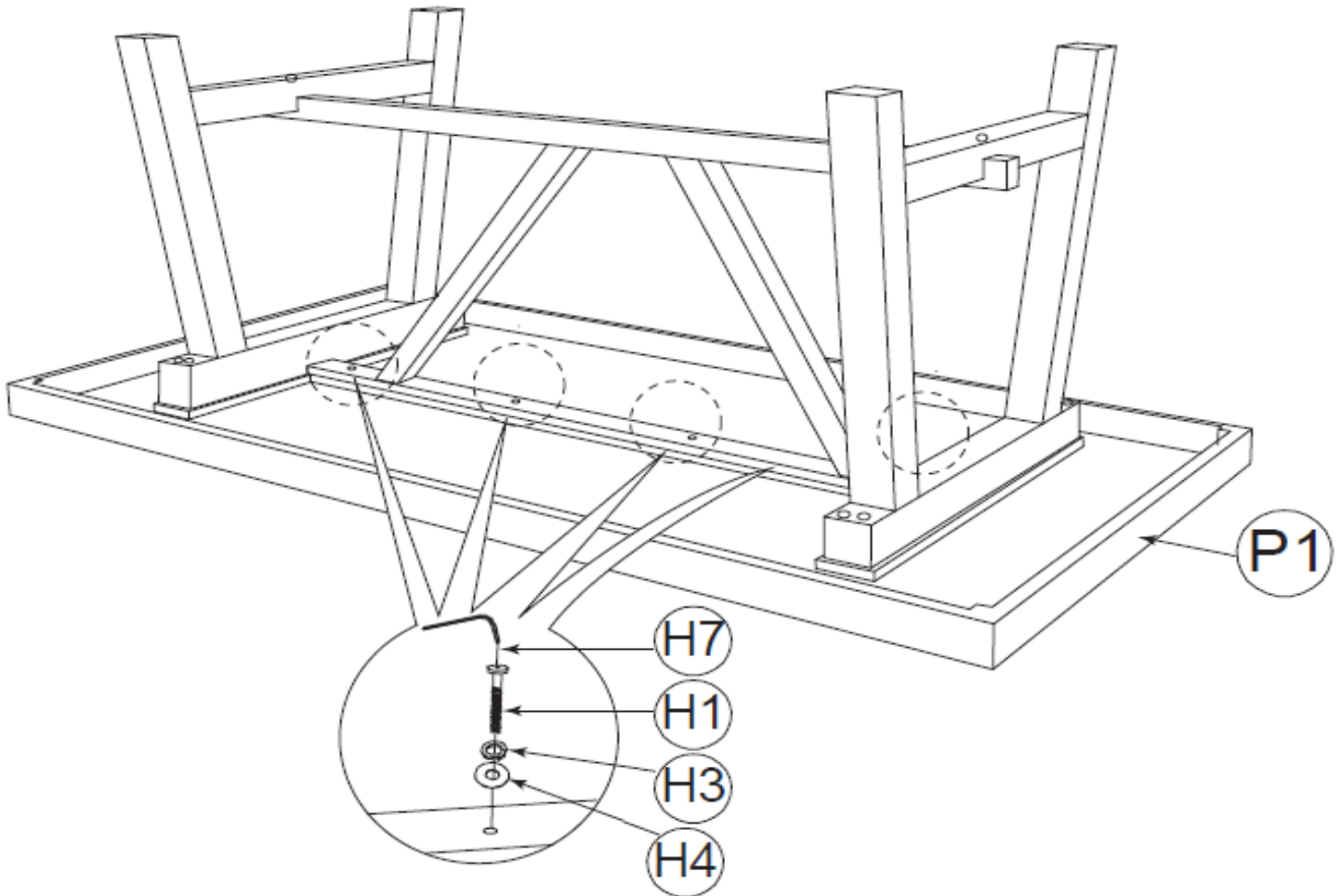
Turn the assemble leg upside down, then attach it onto the table top. Align Bolts (H2) together with Spring washer (H3) & Flat washer (H4) through the desired holes in the leg frame right into the holes in the Table top. Tighten the bolts using the Allen key (H7). Do not tighten completely until all 8 screws are in place . Do not over tighten the screws .



STEP 6

H1 x 4	
M6 x 35mm	
H3 x 4	
H4 x 4	

Then align Bolt (H1) together with Spring washer (H3) & Flat washer (H4) into holes in the top bar and tighten it using the Allen key (H7).
Do not tighten completely until all 4 screws are in place .
Do not over tighten the screws .



Carefully reposition the table upright. Remember to ALWAYS do this last step with at least two people (adults) to avoid injuries.

CARE AND MAINTENANCE

- SAFETY** - To avoid any risk of suffocation to children or animals, dispose off the plastic bags immediately.
- CLEANING** - Clean with damp cloth and mild detergent. Do not use bleach or abrasive products.
- FITTINGS** - Tighten bolts and nuts from time to time to ensure all parts of product are securely fitted.