

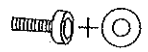





Instruction Manual

Before you start to assemble, please read this instruction carefully to ensure personal safety and proper assembly. Check all parts against part list below to ensure you have all the required parts before you assemble the cantilever umbrella.

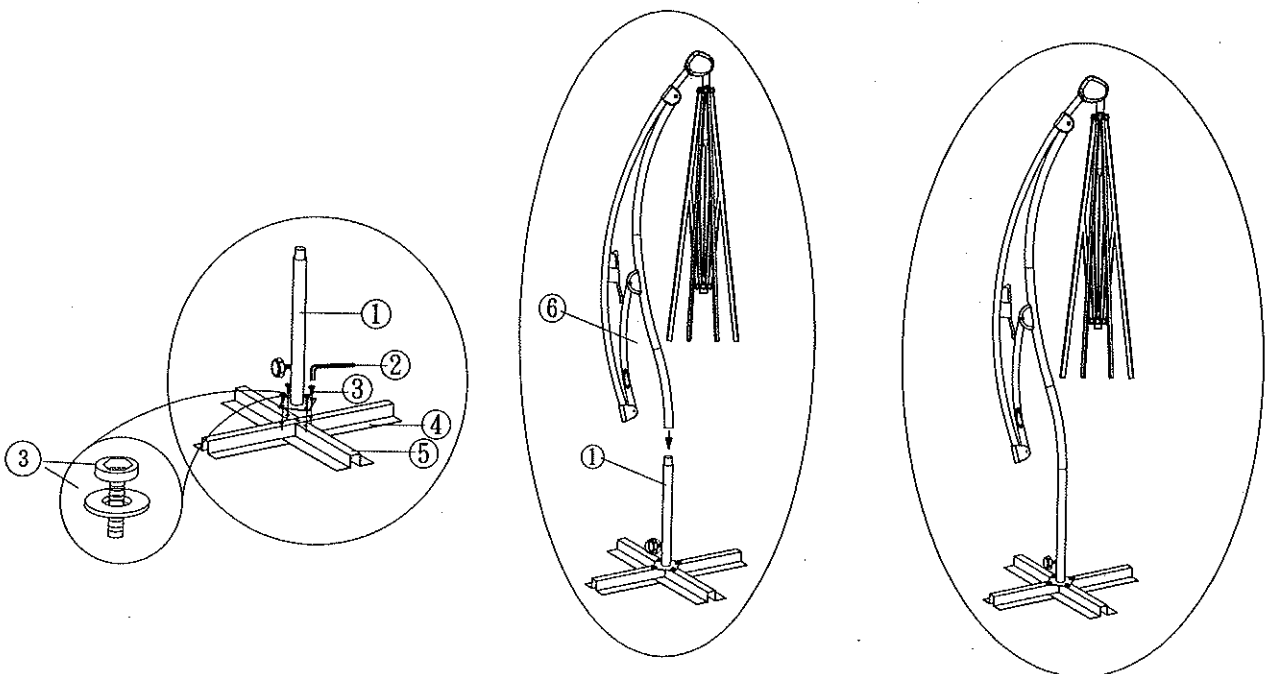
PARTS LIST

PART	DESCRIPTION	PICTURE	QTY
①	Shaft Unit		1SET
②	Hex Screw Driver		1PC
③	SCREW + WASHER		4SETS
④⑤	Base Bar		2PCS

PART	DESCRIPTION	PICTURE	QTY
⑥	Upper Pole Unit		1SET
⑦	POSITION LOCK SCREW		1PC

STEPS:

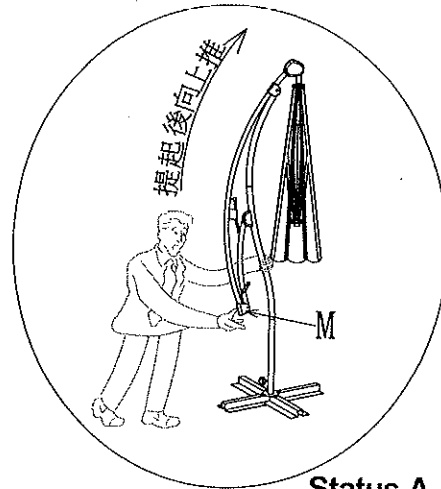
1. ON FLAT SURFACE, PLACE ONE BASE BAR (4) INTO THE OTHER (5) TO CREATE CROSS SHAPE BASE UNIT.
2. PLACE THE SHAFT UNIT (1) ON THE CENTER OF CROSS BASE UNIT (4)+(5) VERTICALLY AND SECURE THE SHAFT WITH SCREW AND WASHER (3) BY USING HEX SCREW DRIVER (2).
3. INSERT THE UPPER POLE UNIT (6) INTO THE SHAFT (1) AND SECURE ROTATION POSITION USING POSITION LOCK SCREW (7) TO COMPLETE CANTILEVER UMBRELLA.



INSTRUCTION MANUAL

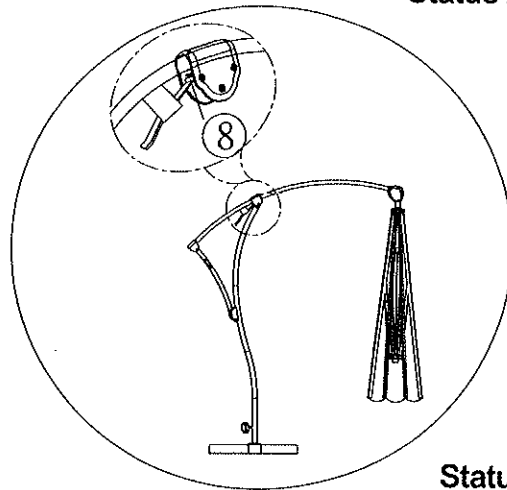
OPERATION:

1. Open the cantilever umbrella by holding&pushing up the end of the upper pole unit (M) (as the status A shown) till the metal trigger (10) jointed to the part (8) properly (as the status B shown.)



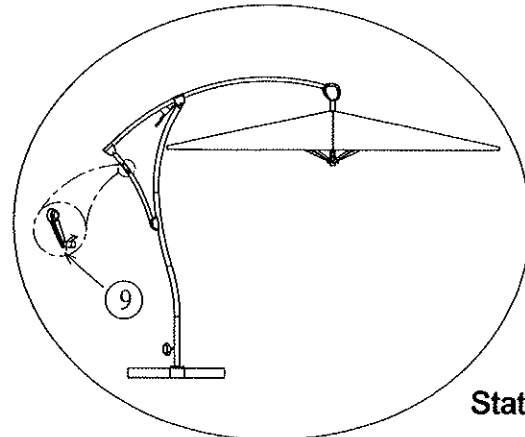
Status A

2. Cranking the handle (9) clockwise on the side of upper pole unit until it is opened fully to a horizontal position (as the status from B to C shown.)



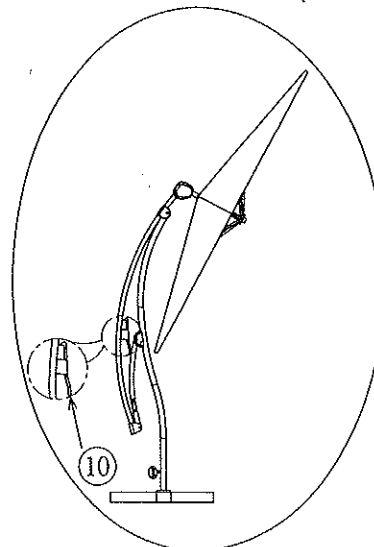
Status B

3. To adjust other position of the umbrella, push the metal trigger (10) and loosen the connection from the part (8), holding& drawing back the end of the upper pole unit (M) to another oblique position (as the status D shown.)



Status C

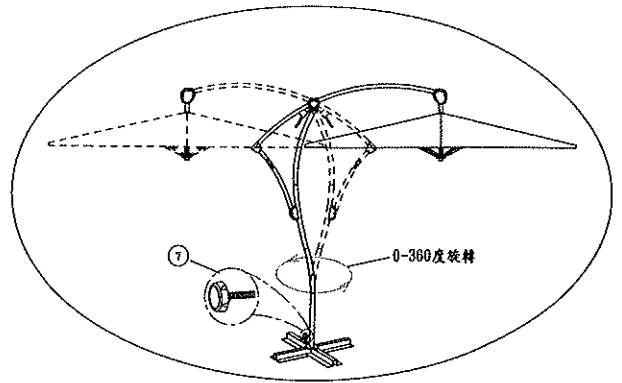
To hold&push up the end of upper pole unit (M) & lock the metal trigger (10) to the part (8) again, the position D will be adjusted back from the position D to C.



Status D

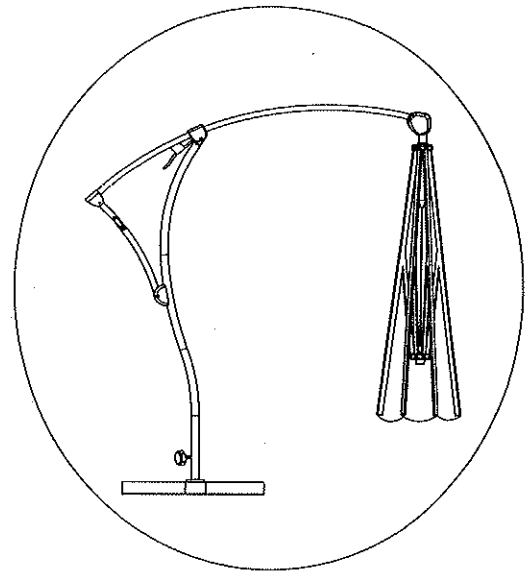
Instruction Manual

4. To rotate the umbrella, loosen the knob (7) on the shaft to rotate the umbrella from 0 to 360 degree. Tighten the screw after rotating.



Status E

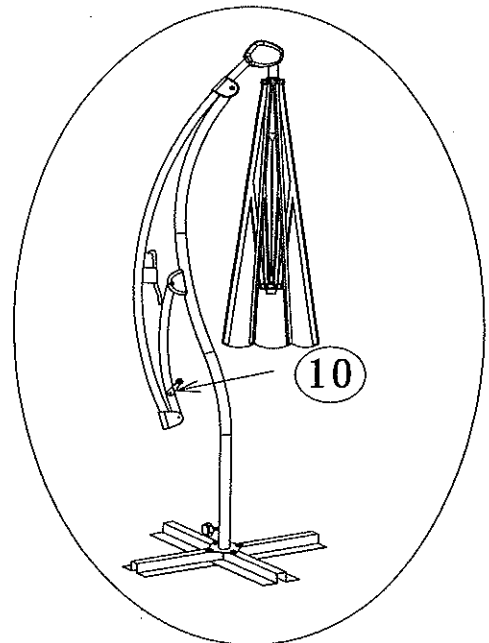
5. To close the umbrella, make sure that the umbrella is back to its original horizontal position(not tilted), then cranking the umbrella handle(9) counter-clockwise until the umbrella is totally closed as the status F shown.



Status F

Loosen the metal trigger (10) from the part (8), hold&draw back the end of the upper pole unit (M) as the status G shown.

Note: always make sure the umbrella is in the closed position and the tilt Mechanism is locked when not in use.



Status G