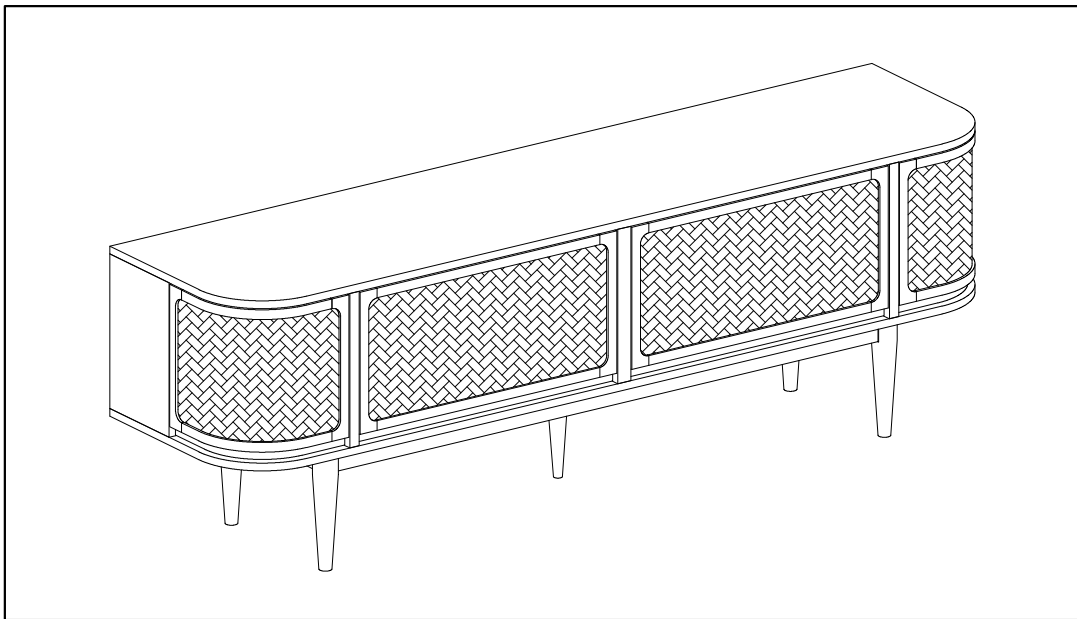


WORLD MARKET®

Assembly Instructions

Colby Wood & Rattan Media Cabinet

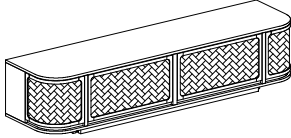


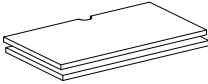
SKU - 622653



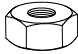

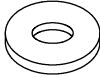
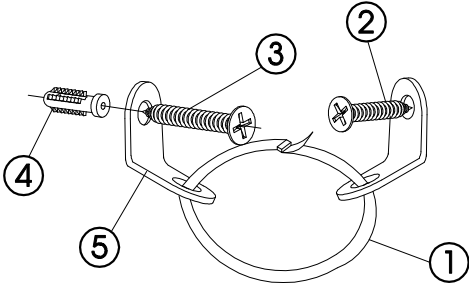
THANK YOU FOR YOUR PURCHASE. IF YOU HAVE ANY QUESTIONS PERTAINING TO THE ASSEMBLY OF THIS FURNITURE PIECE, PLEASE CONTACT THE NEAREST WORLD MARKET STORE. IF YOU ARE NOT NEAR A STORE, PLEASE CALL OUR CUSTOMER SERVICE CALL CENTER TOLL FREE AT 877- 967- 5362 FOR ASSISTANCE.

All products sold at World Market are not for commercial use and are intended for residential use only.

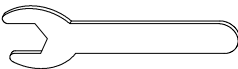
Component List

LABEL		DESCRIPTION	QTY
A		Body	1
B		Leg	4
C		Center Leg	1
D		Shelf Panel	2

Hardware List

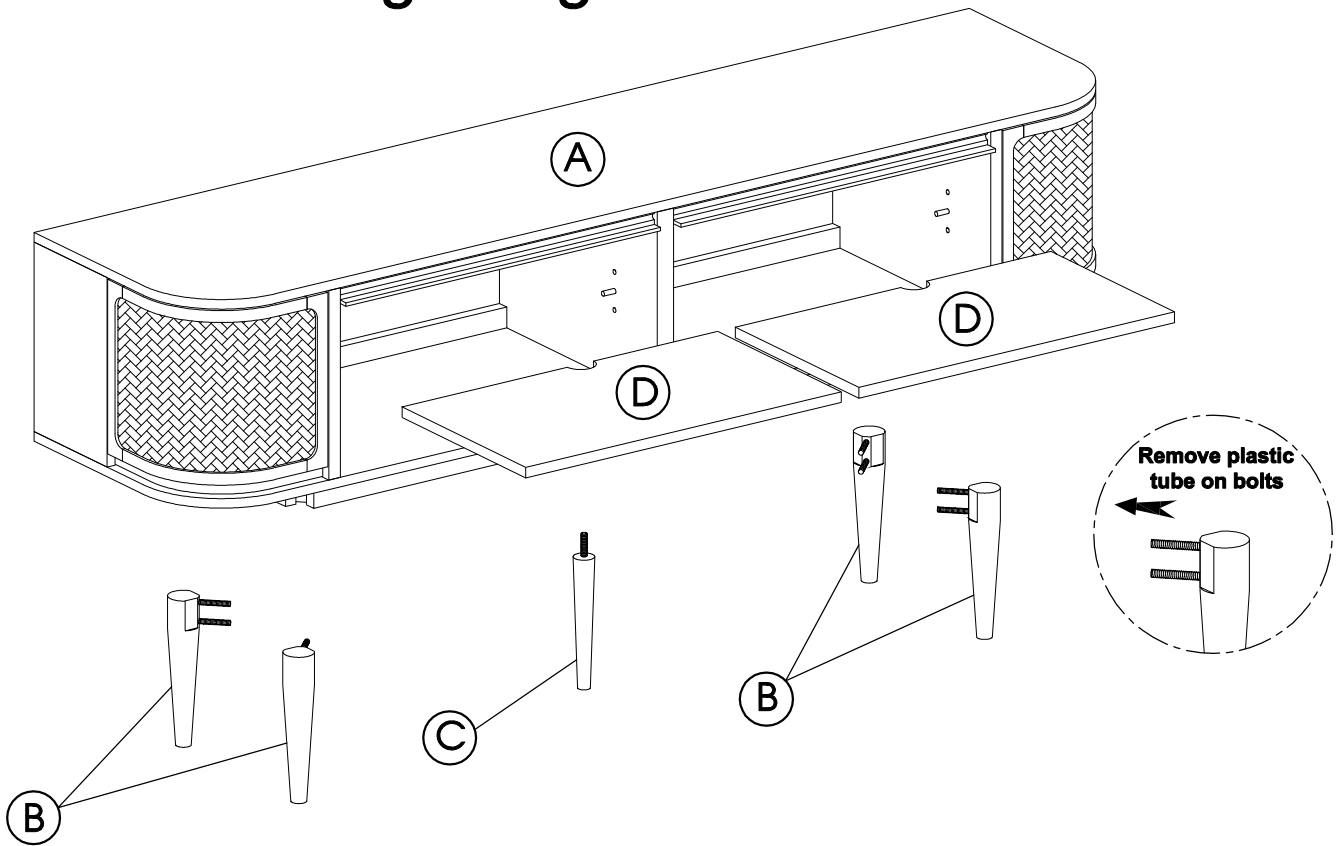
H-1		Hexagon Nut M8 x 7mm	8																				
H-2		Spring Washer M8 x 14mm	8																				
H-3		Flat Washer M8 x 20mm	8																				
H-4	 <table border="1" data-bbox="877 1393 1316 1680"> <thead> <tr> <th colspan="3">ANTI TIPPING KIT CHECK LIST</th> </tr> <tr> <th>CODE</th> <th>COMPONENT</th> <th>QTY</th> </tr> </thead> <tbody> <tr> <td>01</td> <td>PLASTIC STRAP</td> <td>2</td> </tr> <tr> <td>02</td> <td>SHORT SCREW 4x20 mm</td> <td>2</td> </tr> <tr> <td>03</td> <td>LONG SCREW 4x30 mm</td> <td>2</td> </tr> <tr> <td>04</td> <td>NYLON WALL PLUG</td> <td>2</td> </tr> <tr> <td>05</td> <td>METAL BRACKET</td> <td>4</td> </tr> </tbody> </table>	ANTI TIPPING KIT CHECK LIST			CODE	COMPONENT	QTY	01	PLASTIC STRAP	2	02	SHORT SCREW 4x20 mm	2	03	LONG SCREW 4x30 mm	2	04	NYLON WALL PLUG	2	05	METAL BRACKET	4	1
ANTI TIPPING KIT CHECK LIST																							
CODE	COMPONENT	QTY																					
01	PLASTIC STRAP	2																					
02	SHORT SCREW 4x20 mm	2																					
03	LONG SCREW 4x30 mm	2																					
04	NYLON WALL PLUG	2																					
05	METAL BRACKET	4																					

Tool List

LABEL		DESCRIPTION	QTY
T-1		Open Wrench M13 mm	1

Assembly Preparation

Before Beginning:



- Unpack all hardware bags and components to ensure you have all parts.



- Read instructions, cover to cover.



- Have 2 adults on hand for assembly.



- Do not assemble on flooring or carpet.



- Assemble on a clean non-marring surface (packing foam).



- Save all packaging until finished.






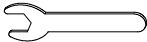
- In case of missing parts, please contact your nearest World Market store or call our customer service call center at call 1-877-967-5362.

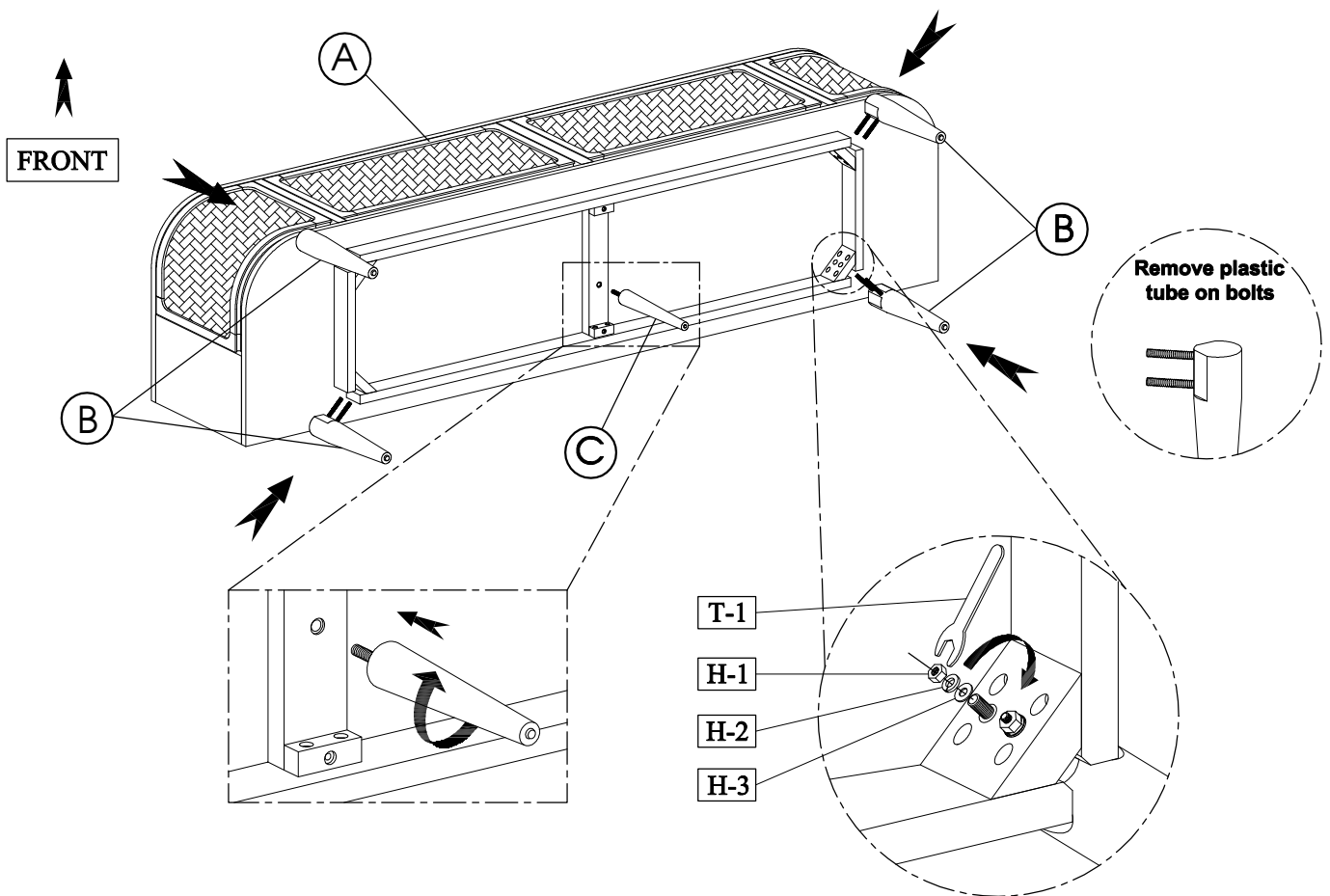


- **WARNING:** Small parts are a choking hazard. Adult Supervision is required before, during, and after assembly.

Assembly Steps

Step 1

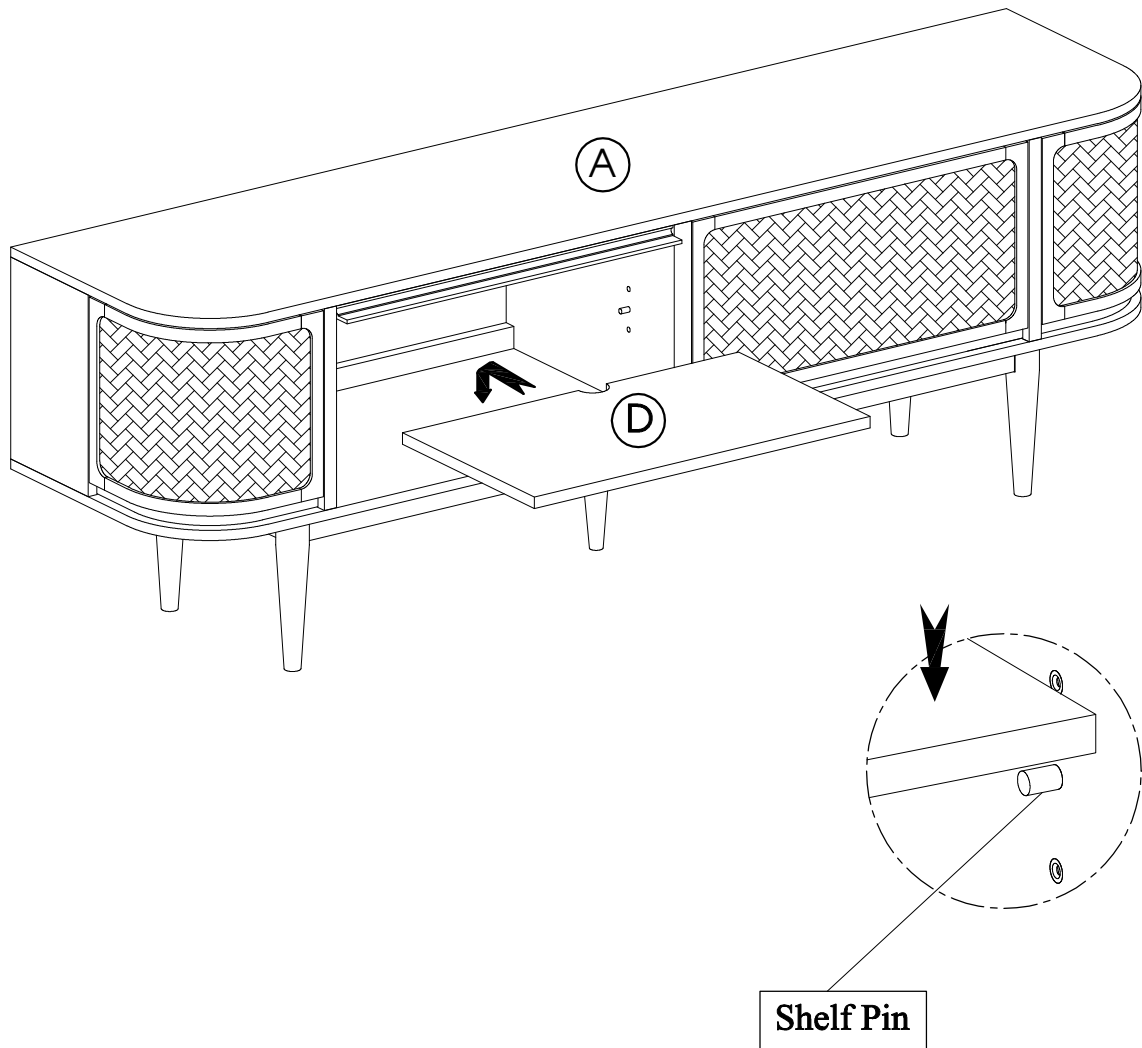
(H-1)		Hexagon Nut M8 x 7mm	8 PCS
(H-2)		Spring Washer M8 x 14mm	8 PCS
(H-3)		Flat Washer M8 x 20mm	8 PCS
(T-1)		Open Wrench M13 mm	1 PC



Place cabinet Body (A) on its back onto a padded, non-marring surface. Position Legs (B) at each corner of the cabinet Body (A). Secure with Flat washers (H-3) Spring Washers (H-2) and Hexagon Nuts (H-1) using provided Open Wrench (T-1), stacking the hardware in the order as shown. Securely tighten all hardware, but **DO NOT OVER TIGHTEN**. Insert Center Leg (C) into the pre-installed insert in the center of the cabinet Body (A). Secure by rotating clockwise until snug. **DO NOT OVER TIGHTEN**.

Assembly Steps

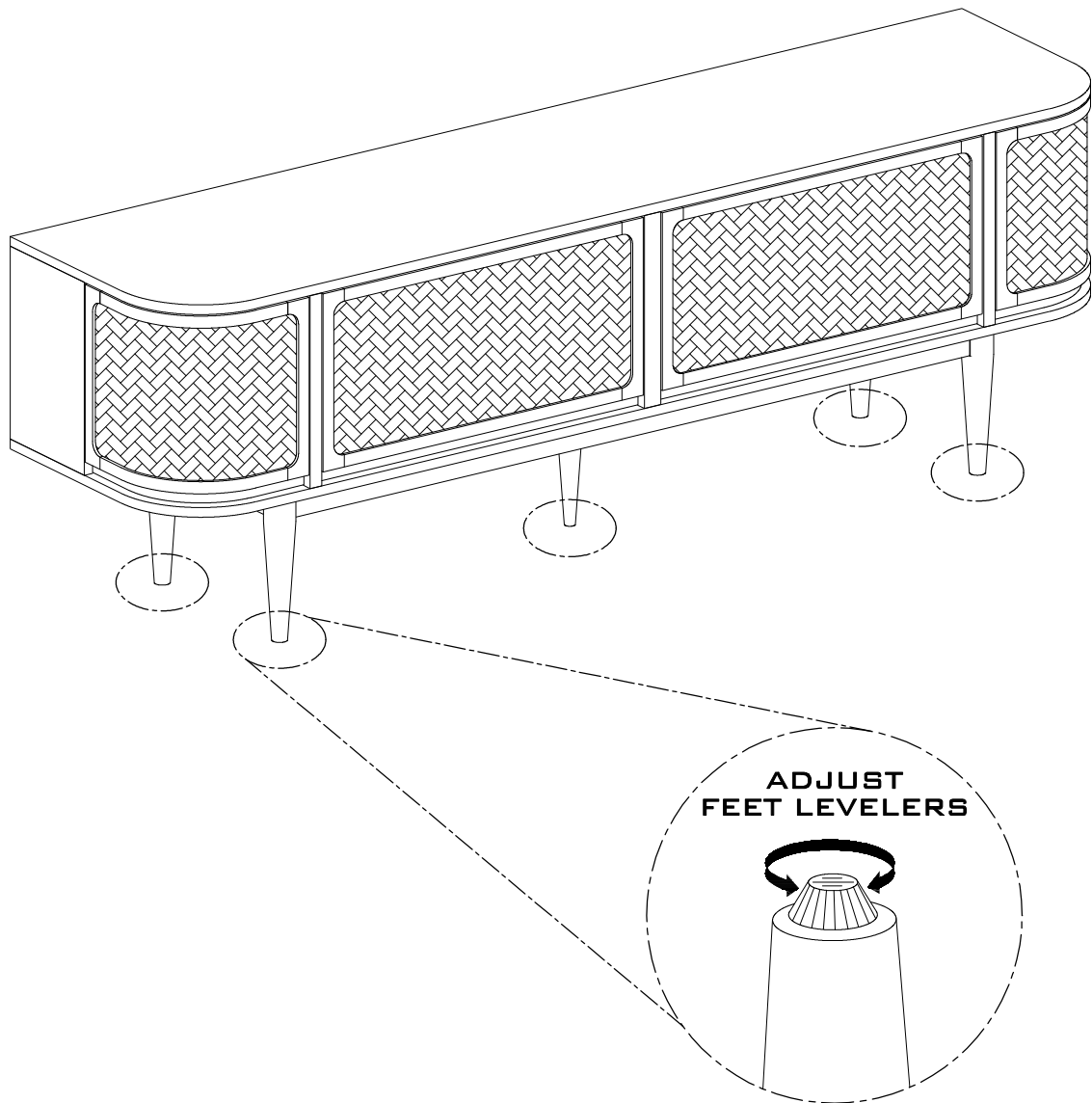
Step 2



Using a second person to assist you, carefully turn assembled unit upright. Open and insert one of the front doors of the cabinet so it remains open. Insert one Shelf Panel (D) into the cabinet, ensuring it rests on the shelf pins as shown. The chord management notch should be toward the back of the cabinet. The shelf pins can be adjusted based on your desired height. Repeat the same process to install the other Shelf Panel (D).

Assembly Steps

Step 3



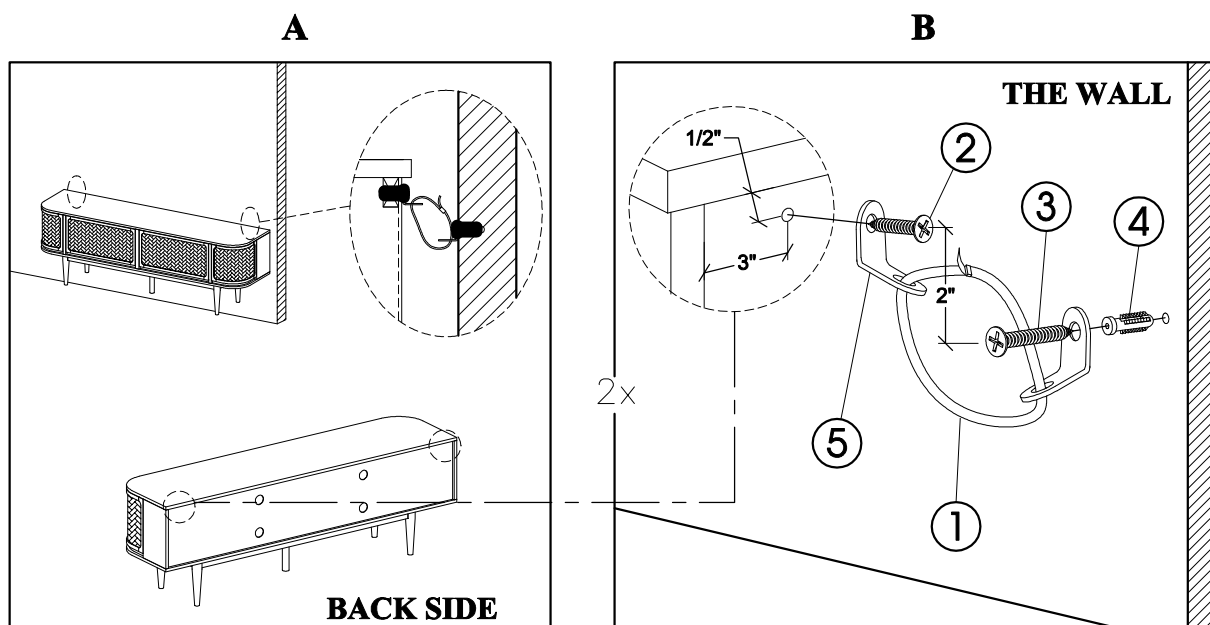
Ensure that all hardware has been fully tightened and that the legs rest evenly on the floor surface. Assembly is now complete and the cabinet is ready for use.
NOTE: Check that all nuts remain fully tightened every 3 months to ensure stability.

Anti-Tip Kit Assembly

Warning - Children may be injured by tipping of furniture and the use of the Anti-Tip Kit is highly recommended.

This Anti-Tip Kit is only a deterrent. It is not a substitute for proper adult supervision. Manufacturer and retailer assume no liability for improper installation or excess loads placed on screws, brackets, or straps. When properly installed, this restraint provides protection against unexpected tipping of furniture. This Anti-Tip Kit **MUST** be installed into the wall using proper mounting hardware OR into a wall stud using appropriate screws. Position of the Anti-Tip Kit depends on the product and the location of the wall studs. The hardware provided is not a comprehensive solution for all wall types. Be sure to consult a professional or your local hardware store to determine the hardware needed for your specific wall type (plaster, drywall, concrete, etc.).

- Using a second person to assist you, place the unit in the desired final location against a wall. It is suggested to use a stud finder to find wall studs along the length of the unit and roughly 1 inch below the top of the unit. Where possible, mark a drill hole position on the wall where there is a stud and use a drill or screwdriver (NOT INCLUDED) to attach Metal Brackets (05) to the wall using Long Screws (03) in the location of the wall studs.
- In a case where there is no wall stud, hold Metal Brackets (05) on wall and mark the drill hole position so that they are roughly 1 inch below the top of the piece. Using a drill with a drill bit roughly the diameter of the plastic Nylon Wall Plugs (04), drill pilot holes in marked positions. Insert the plastic Nylon Wall Plugs (04) into the holes until the tops are roughly flush with the wall. Align the holes and insert the Long Screws (03) through Metal Brackets (05) and into the corresponding holes in the wall using a phillips head screwdriver (NOT INCLUDED).
- Next, attach remaining Metal Brackets (05) to the back of the piece using Short Screws (02) so they align with Brackets installed on the wall. Loop Plastic Straps (01) through Metal Brackets (05) on the furniture piece, then through Metal Brackets (05) on the wall and tighten until snug. Installation is now complete.
- **IMPORTANT:** Check that the Metal Brackets are firmly screwed into the wall and the Plastic Straps are snug.
- If there is any hesitation, please consult a professional or your local hardware store.



Assembly Steps

⚠️ "Warning - For use with televisions weighing 80 lbs (36 Kg) or less. Use with heavier televisions may result in instability causing tip over resulting in death or serious injury"

Plasma/LCD-flat panel TV screen of various screen sizes to a maximum TV screen size 55 inches.

All other support shelves should not be loaded with more than 25 lbs.

DO NOT EXCEED RECOMMENDED LOAD. Use with products heavier than the maximum sizes and weights indicated may result in instability causing possible injury.

Do not allow children under 16 years to move unit.

Manufactured : Cost Plus World Market

SKU#: 622653

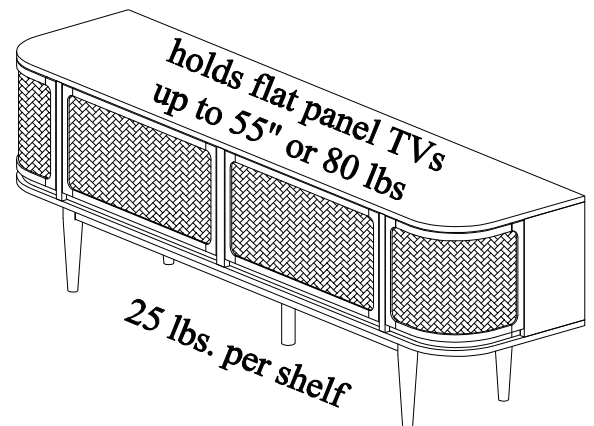
Manufactured Date : to be changed per production date

DO NOT REMOVE THIS LABEL.

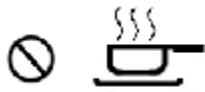
1. WARNING - Death or serious injury may occur when children climb on audio and/or video equipment furniture. A remote control or toys placed on the furnishing may encourage a child to climb on the furnishing and as a result the furnishing may tip over on to the child.

2. WARNING - Relocating audio and/or video equipment to furniture not specifically designed to support audio and/or video equipment may result in death or serious injury due to the furnishing collapsing or over turning onto a child.

3. This unit has been designed for the weight shown. Exceeding this recommended weight could result in excessive "sagging" of the top. Extreme overloading can cause failure of the top and possible injury.



Care & Maintenance



● Do not put hot items directly on furniture surface.



● Do not clean furniture with harsh cleansers or polish.



● Do not place furniture in direct sunlight.



● Do not place furniture near heating or cooling vents.



● Do not write on furniture without a padded barrier to protect the surface.



● Do not place furniture outside. For indoor use only.



● All products sold at World Market are not for commercial use and are intended for residential use only.



● Dust and pick-up spills using a clean, non-colored, lint-free, dry cloth.

WORLD MARKET LIMITED ONE-YEAR WARRANTY – Indoor Furniture

For your customer satisfaction, this product carries a LIMITED ONE-YEAR WARRANTY from the date of purchase. This limited warranty only applies to World Market brand furniture, and not to other furniture brands sold on World Market's website.

Where applicable, the limited warranty provides coverage for:

1. **Manufacturing, Material and Workmanship Defects:** Includes defects related to core frame/structure substrates (wood and metal); cracking, splitting, or complete breakage of hardwood, plywood or medium density fiberboard (MDF); cracking, splitting or lifting of wood veneer or laminated top surfaces caused by process failure; broken welds or improperly coated metal frame components (powder coating or painted); fabric or leather material defects including tears, misprints, fraying, crease marks, skip stitches or open seams; support webbing material and sinuous spring defects or damage, including method of attachment to frame; and other component failures that are a direct result of manufacturing or workmanship defects.
2. **Cushions & Cushions with Enclosed Steel Pocket Coils:** Failed or ruptured steel pocket coils enclosed inside of seat cushions, or loss of resiliency from a material breakdown of foam or fiber filling, which should not be confused with softening or settling during normal use.
3. **Leather:** Splitting or cracking of leather material. NOTE: The warranty does NOT cover natural hide markings, variations in the leather color or grain due to the authentic natural properties of processed cowhide leather.
4. **Bonded Leather or Bi-cast Leather:** Separation of the polyurethane coating, peeling or cracking of the inner layer or at the bonded seam edges (bi-cast straps).
5. **Furniture Components (Hardware & Mechanisms):** Includes defects to pre-installed components or hardware provided to the customer for assembly such as office chair hydraulic lifts, lift mechanisms, metal bases and casters, swivel plate mechanisms; for drawers, metal glides, handles/knobs; for doors, hinges, magnetic latches; and other components such as bent or stripped threaded leg posts and adjustable levelers. For missing, damaged, corroded, or misplaced hardware components such as bolts or washers, please contact Customer Service at: 877-967-5362.

This LIMITED ONE-YEAR WARRANTY does NOT cover:

1. Damage due to mishandling during transportation from store or transportation without original protective packaging.
2. Abuse, negligence (product misuse) or wear and tear that may result in or from:
 - a. **Wood & Veneer:** Mishandling, exposure to moisture, peeling or discoloration caused by exposure to moisture or excessive sunlight, heat; splintered, dented or nicked panels, legs or component edges or paint/finish blemishes; or treatment with corrosive chemicals (dyes, inks, paints or harsh cleaning products).
 - b. **Fabric & Leather (Including Bonded or Bi-Cast Leathers):** cuts, punctures, tears, burns, pet damage, or treatment with corrosive chemicals (dyes, inks, paints or harsh cleaning products), exposure to direct sunlight, fire, high heat, water, or any bright light source (natural or artificial) that may cause splitting, peeling or flaking with time.
 - c. **Foam (Cushions):** Flattening, relaxing or settling/softening of foam components that comes with normal use.
 - d. **Hardware Components:** improper installation or misuse/substitution of hardware components not defined in the Assembly Instructions for the product (if applicable)
3. Damage due to environmental exposure to direct sunlight, fire, high heat, water or extreme humidity, any bright light source (natural or artificial), or any environment that the product is not intended for.
4. This warranty is applicable for indoor furniture products purchased for residential use only.

For additional information on returns, please visit: <https://www.worldmarket.com/category/customer-service/returns.do>

All products sold at World Market are NOT FOR COMMERCIAL USE and are intended for residential use only. Products purchased for commercial use will VOID all warranty provisions as listed above.

Any claims under this LIMITED ONE-YEAR WARRANTY are valid and applicable only as to the original purchaser and must be accompanied by proof of purchase. Warranty claims should be submitted to a World Market store or through World Market Customer Service Call Center, Toll Free at 877-967-5362.

For valid warranty claims, World Market will repair or replace the product, or offer a full or partial credit, in the sole discretion of World Market. This LIMITED ONE-YEAR WARRANTY gives you specific legal rights and you may also have other rights which vary from state to state.