

# WORLD MARKET®

## Assembly Instructions

TYLER DINING CHAIR

SKU# 541928 / 549821


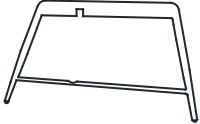
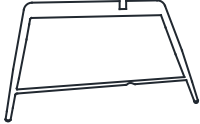


THANK YOU FOR YOUR PURCHASE.  
IF YOU HAVE ANY QUESTIONS PERTAINING TO THE ASSEMBLY  
OF THIS FURNITURE PIECE, PLEASE CONTACT THE NEAREST  
COST PLUS WORLD MARKET STORE. IF YOU ARE NOT NEAR A STORE,  
PLEASE CALL OUR CUSTOMER SERVICE CALL CENTER  
TOLL FREE AT **877- 967-5362** FOR ASSISTANCE.


Material #: 980296BRN01 / 980296BLK02

CH208




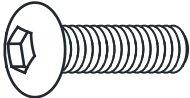
# Parts List

Label	Picture	Description	Qty
A		Seat	1
B		Upper leg frame	1
C		Lower leg frame	1

# Tool List

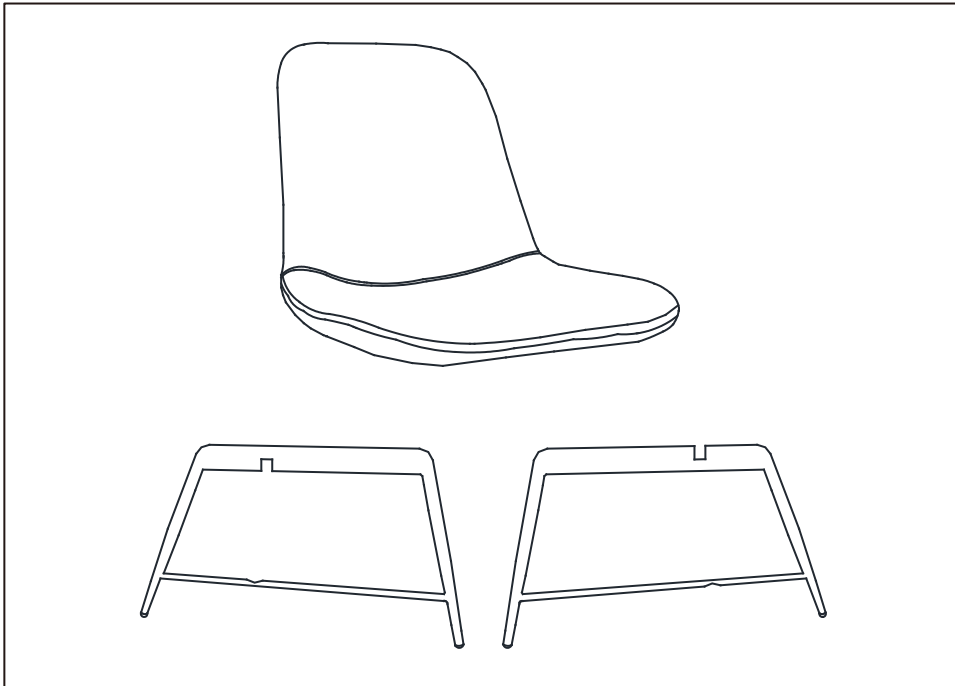
Label	Picture	Description	Qty
T-1		Allen Wrench	1

# Hardware List

Label	Picture	Description	Qty
H-1	 (Ø6x60mm)	Bolt	4
H-2	 (Ø6mm)	Spring Washer	4
H-3	 (Ø6mm)	Flat Washer	4
H-4	 (Ø6x16mm)	Shorter bolt	1

# Assembly Preparation

## Before Beginning:



- **Unpack all hardware bags and components to ensure you have all parts-**



- **Read instructions, cover to cover-**



- **Have 2 adults on hand for assembly-**



- **Do not assemble on flooring or carpet-**



- **Assemble on a clean non-marring surface (packing foam)-**



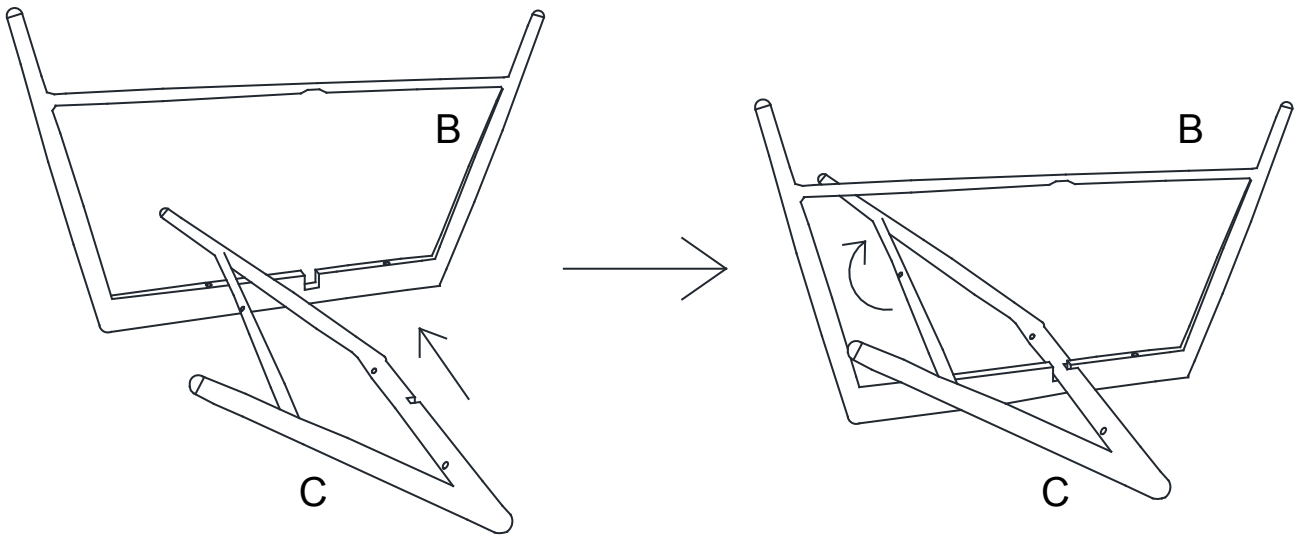
- **Save all packaging until finished-**



- **In case of missing parts, Please call toll free 877-967-5362 for assistance.**

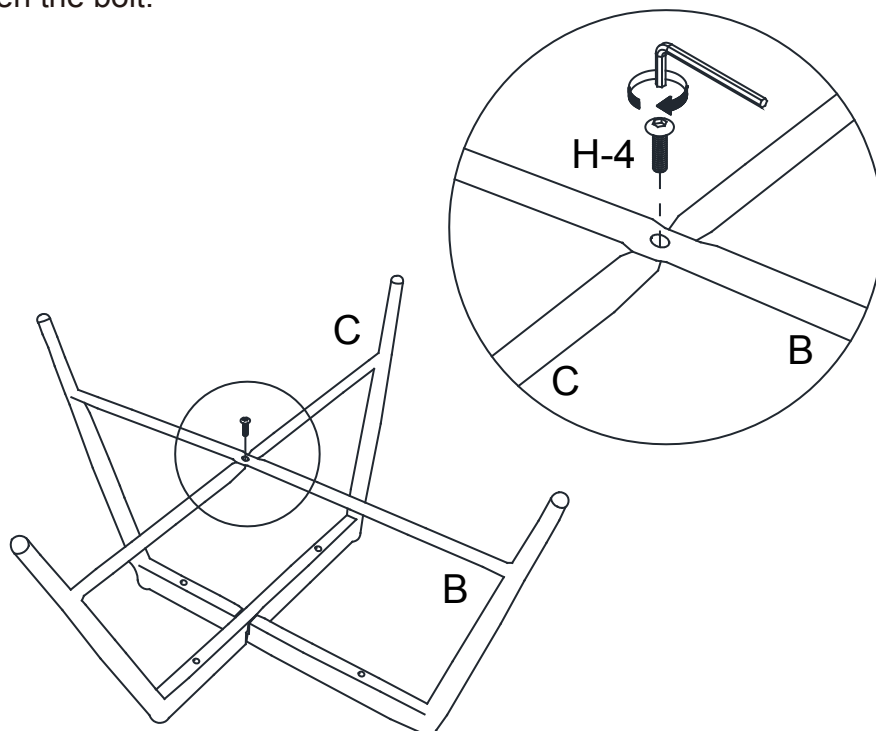
## Step 1

Install Lower leg frame C To Upper leg frame B as shown.



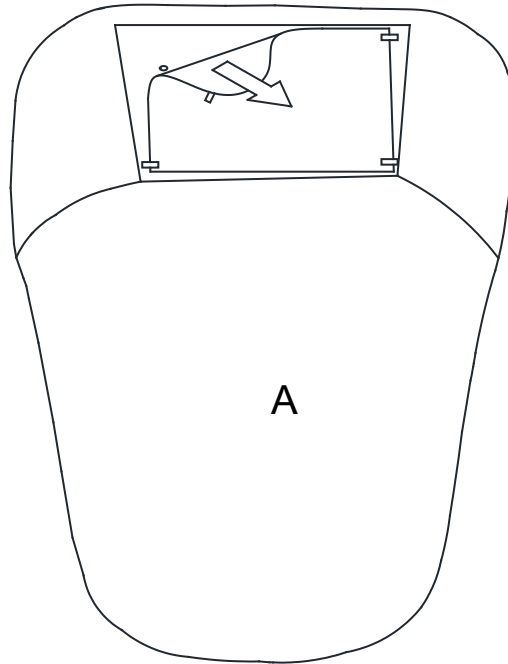
## Step 2

Install Lower leg frame C to Upper leg frame B with hardware H-4 using Allen key. Do not fully tighten the bolt.



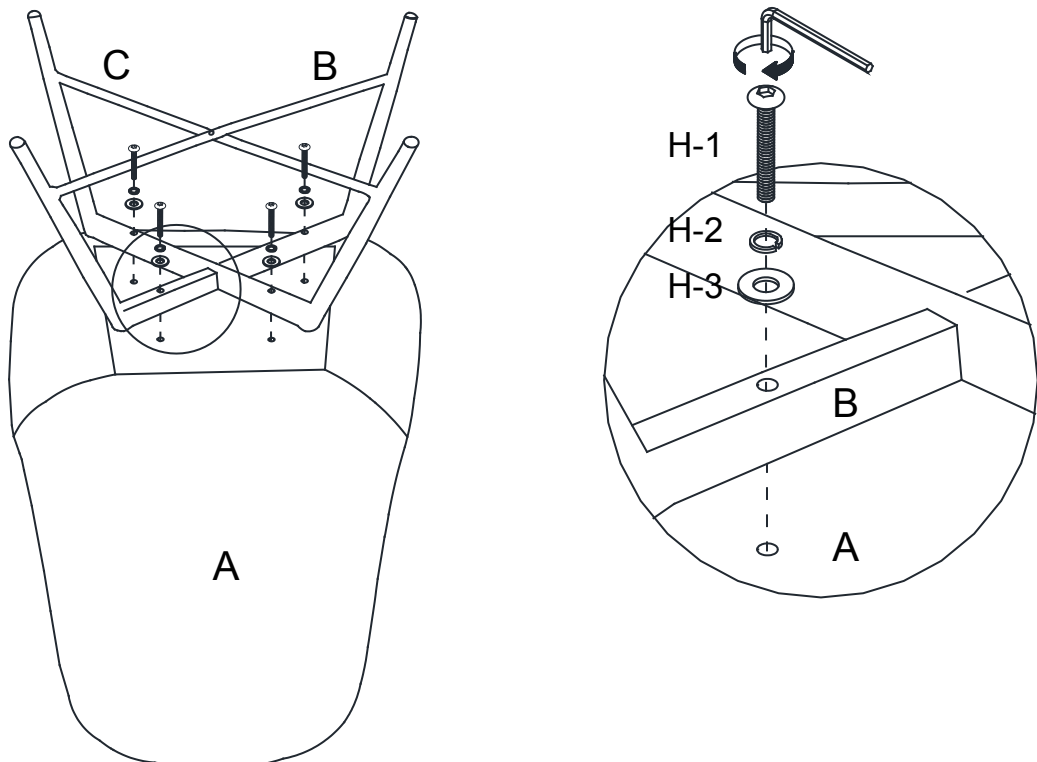
### Step 3

Remove the PE sheet before assembly.



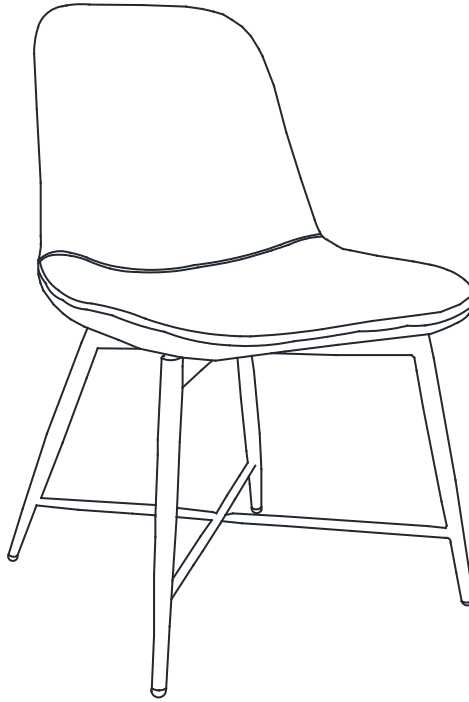
### Step 4

Place assembled Leg frame onto Seat with hardware H-1 (4), H-2 (4) and H-3 (4) using Allen key. Do not fully tighten until all 4 bolts are inserted.



## Step 5



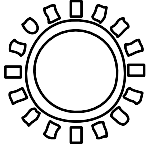




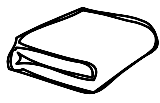

Tighten all the bolts completely. Assembly complete chair is now ready to use.



**Note:**

If your chair is not level, loosen the bolts to 90%, while on a hard surface add weight to the seat to level the legs and re-tighten all the bolts to 100%.

# Care & Maintenance

-  Do not put hot items directly on furniture surface.
  -  Do not clean furniture with harsh cleansers or polish.
  -  Do not place furniture in direct sunlight.
  -  Do not place furniture near heating or cooling vents.
  -  Do not write on furniture without a padded barrier to protect the surface.
  -  Do not place furniture outside. For indoor use only.
  -  Not for commercial use. For residential use only.
- 
-  Dust and pick-up spills using a clean, non-colored, lint-free cloth.
  -  Stains may be removed with mild soap solution and damp cloth.