



## Tyler Counter Stool

ITEM# 980664AGRN01 / 980664BLK01U / 980664NAV01U /  
980664NVY01 / 980664RED01U



---

### **WE ARE HERE TO HELP!** BEFORE YOU RETURN IT - CONTACT US.

We do our best to insure that your furniture arrives in excellent condition. In the event that a part is damaged or missing, Linon will be happy to provide you with replacement parts, at no charge, within 30 days of purchase, providing the parts are available in our warehouse and the item purchased is part of our current inventory. In order to receive spare parts, at no charge, you must provide proof of purchase within 30 days.

For further information, please contact our customer service department, c/o Linon Home Décor Products, Inc., between 9:00 AM and 5:00 PM EST, Monday through Friday.

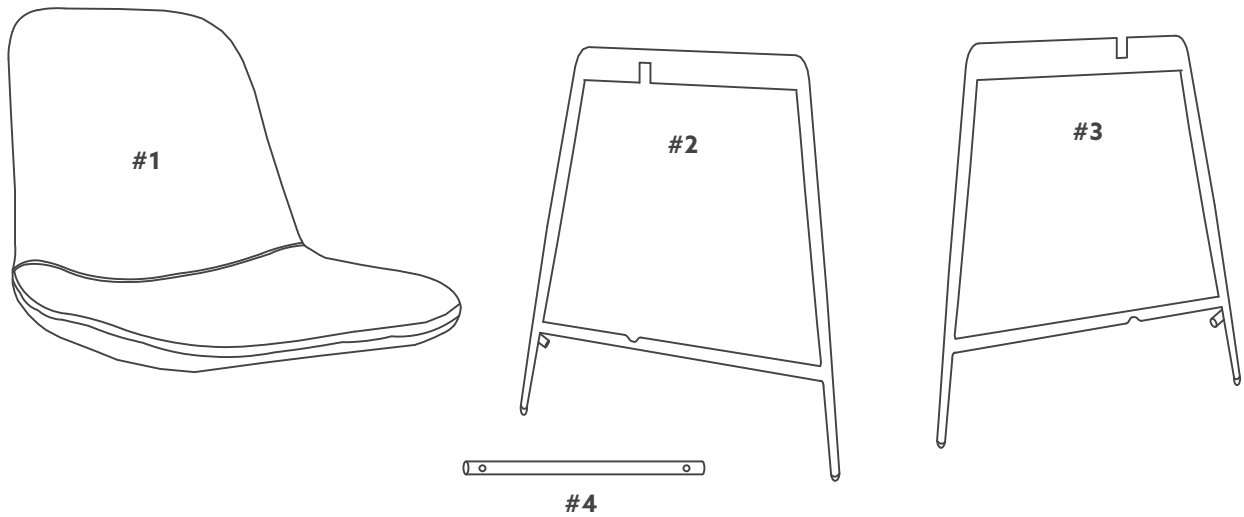
Email address: [consumersupport@linon.com](mailto:consumersupport@linon.com)

**ANI-20173-CN**

---







LINON HOME DECOR PRODUCTS, INC.

## PART LIST



#1	SEAT	01
#2	LOWER LEG FRAME	01
#3	UPPER LEG FRAME	01
#4	FRONT RAIL	01

## HARDWARE LIST

A		BOLT (Ø1/4"x2-3/8")	02
B		BOLT (Ø1/4"x2-3/4")	02
C		BOLT (Ø1/4"x5/8")	01
D		BOLT (Ø1/4"x3/8")	02
E		SPRING WASHER	04
F		FLAT WASHER	04

**NOTE:** Find the label of "Hardware Enclosed" on one of the carton corner then follow the red ribbon to get the hardware bag.

---

## TOOLS REQUIRED

ALLEN KEY



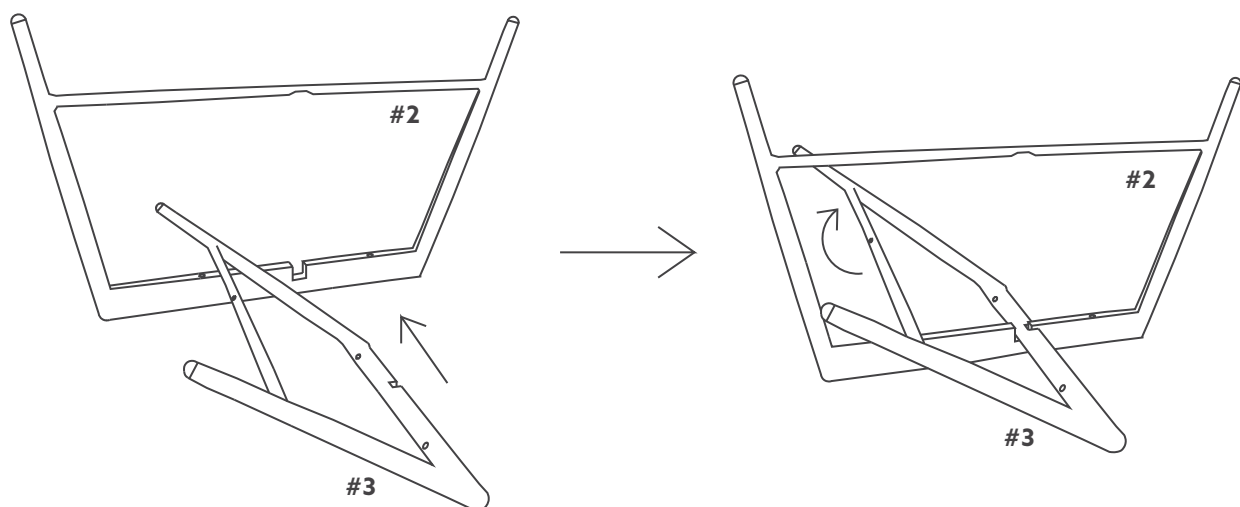
SUPPLIED

### IMPORTANT:

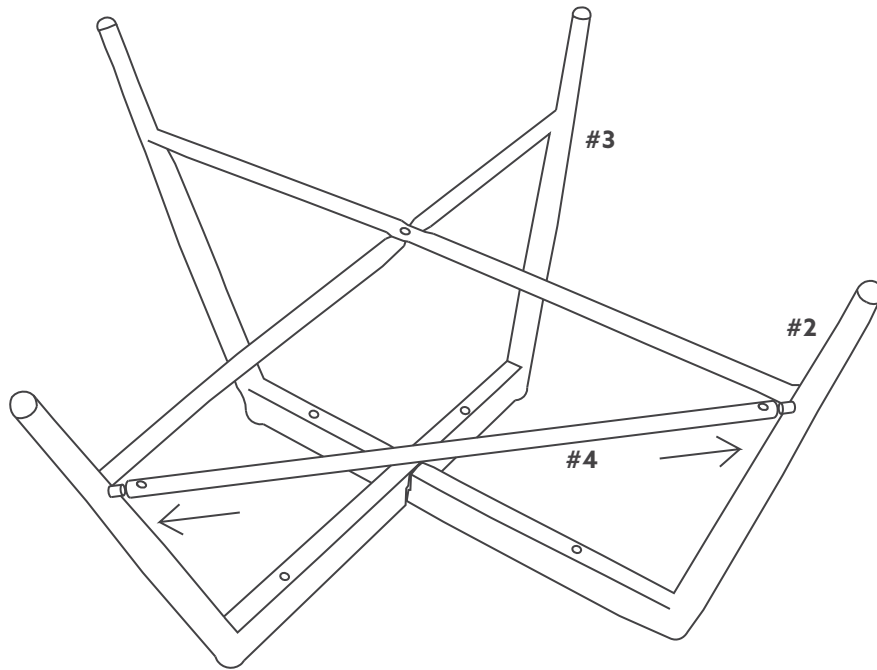
1. Do not tighten bolts completely until all bolts are completely lined up and inserted into holes / nuts.
2. Do not over tighten screws and bolts to avoid stripping.
3. Please use hand tools to assemble this product. Do not use power tools.
4. For ease of assembly, two adults are recommended

---

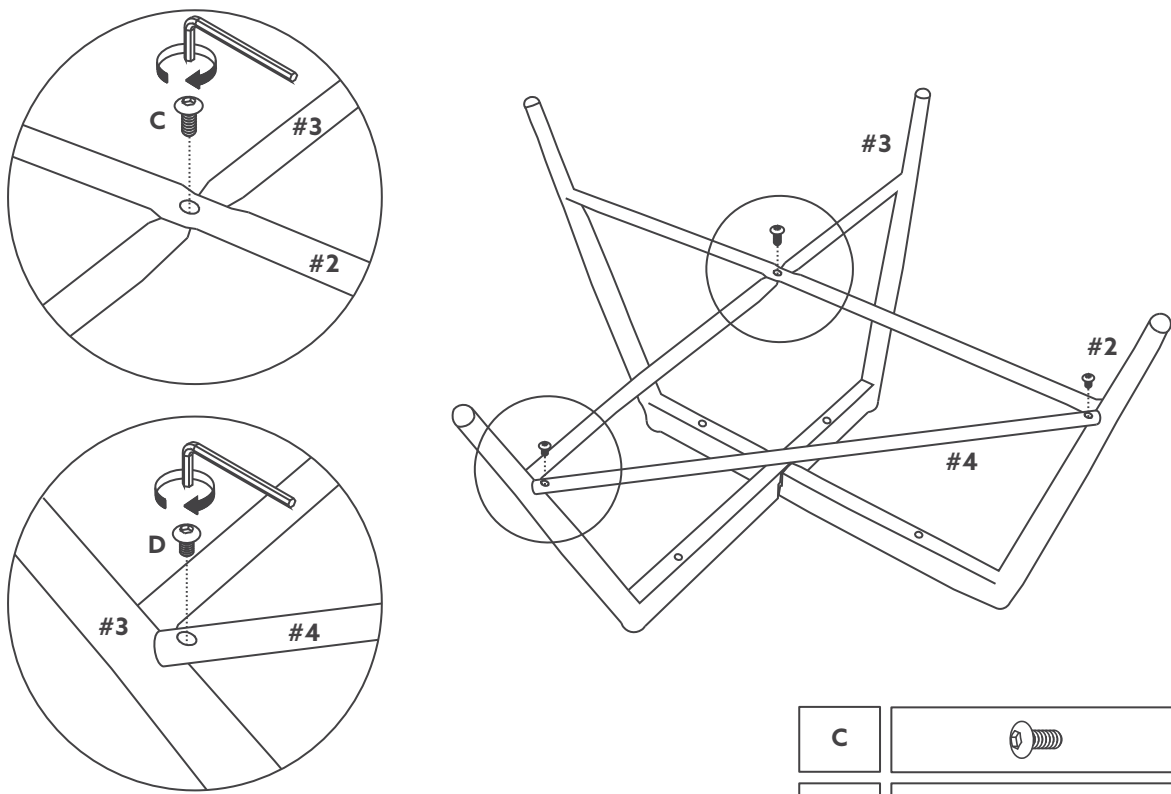
1.



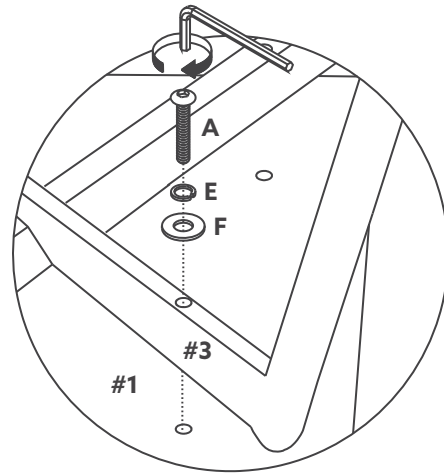
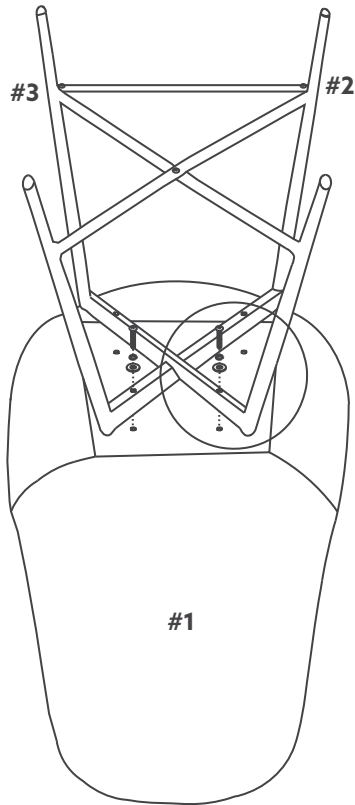
2.






3.

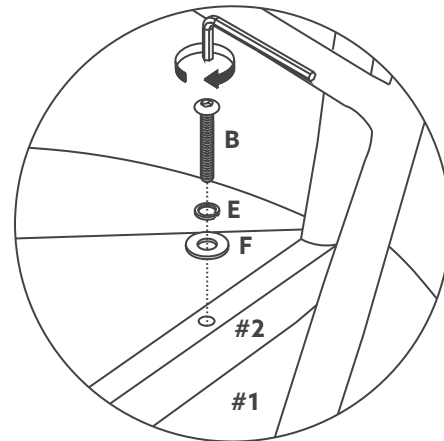
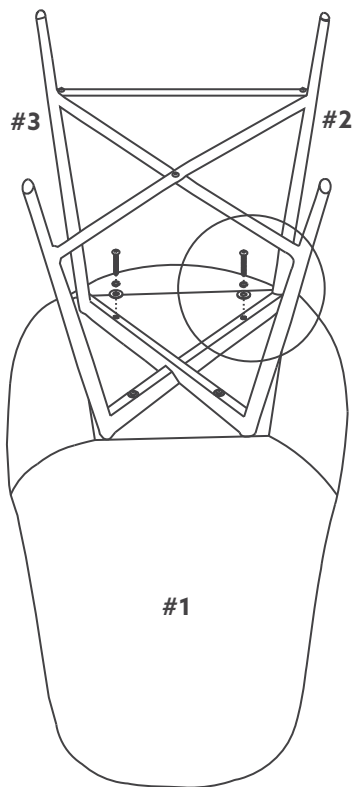





4.



A		02
E		02
F		02

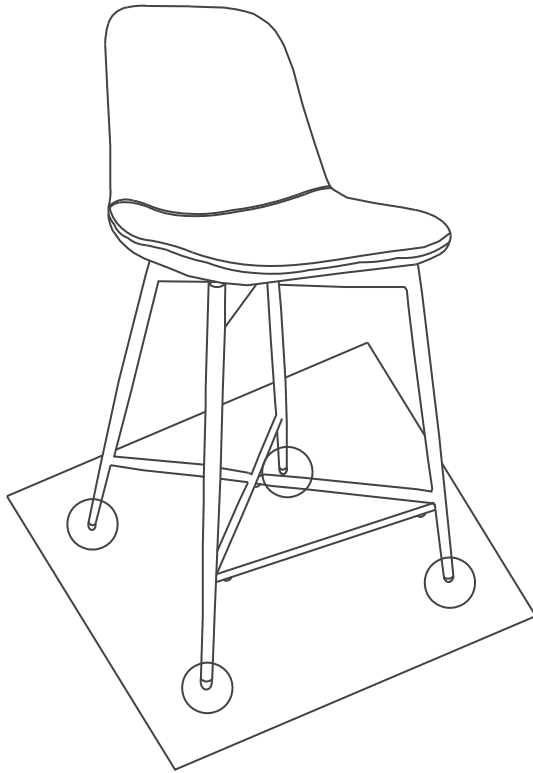
5.



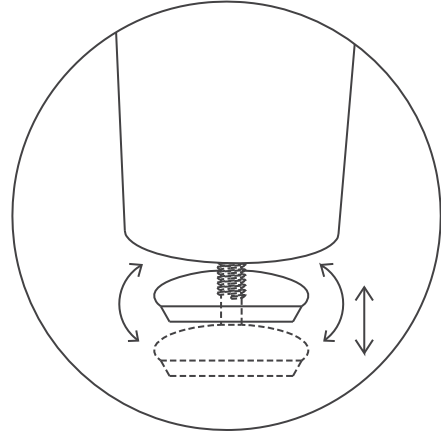
B		02
E		02
F		02

---

6.



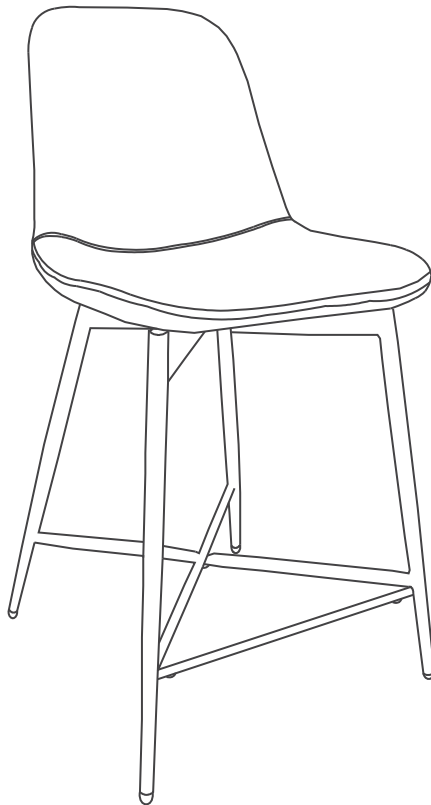
**Note:**  
If your item is not leveled,  
put it on a hard surface,  
then adjust the levelers.



---

7.

**Maximum Weight 225 lbs**



---

# LIMITED 6 MONTHS WARRANTY

---

## WHAT IS COVERED

This product is covered under our manufacturer's 6 months limited warranty (Linon Home Décor Products). To ensure your complete satisfaction, this warrants to the original purchaser that the Linon supplied item is free from defects in material and workmanship, as of the date of purchase, and that it will, under normal use and proper care, remain so for six months after the date of purchase.

Replacement of missing or initially defective parts will be sent, at no charge, for a period of 30 days from the date of purchase with valid proof of purchase providing the parts are available in our warehouse and the item purchased is part of our current inventory.

---

## WHAT IS NOT COVERED

It remains the customer's responsibility for freight and packaging charges to and from the customer service center. Labor and material charges to remove or replace parts under this warranty are not covered.

This warranty does not cover: Furniture used for commercial purposes, failures caused by improper installation assembly or by improper care, unreasonable or abusive use, freeze damage, acts of God, rust, purchased parts or return freight and packaging charges. Proof of purchase (dated register receipt) is required for warranty claims.

---

## HOW TO OBTAIN SERVICE

For further information, please contact our customer service department, c/o Linon Home Décor Products, Inc., between 9:00 AM and 5:00 PM EST, Monday through Friday:

Email address: [consumersupport@linon.com](mailto:consumersupport@linon.com)

---

## MADE IN CHINA

ITEM# 980664AGRN01 / 980664BLK01U / 980664NAV01U /  
980664NVY01 / 980664RED01U

ANI-20173-CN

### THANK YOU FOR YOUR PURCHASE!

We LOVE seeing our products in your home. Take a photo and share it with us using the hashtag #LinonLiving for a chance to be featured on our Instagram!

INSTAGRAM: @LINONHOMEDÉCOR  
TWITTER: LINON HOME DÉCOR

FACEBOOK: LINON HOME DÉCOR  
PINTEREST: LINON HOME DÉCOR





## **Tyler Counter Stool**

**ITEM# 980664AGRN01 / 980664BLK01U / 980664NAV01U /  
980664NVY01 / 980664RED01U**